

## Single Pack HXK95AT 200-240V 50Hz / 208-230V 60Hz RSIR

Single pack code number: **195B4619**

| Position | Title                 | Code     | Amount |
|----------|-----------------------|----------|--------|
| 1        | Compressor HXK95AT    | 16409200 | 1      |
| 2        | Clip                  | 10633900 | 4      |
| 3        | Steel pin             | 10634100 | 4      |
| 4        | Washer                | 10634300 | 4      |
| 5        | Screw for cable clamp | 10636000 | 1      |
| 6        | Screw for cable clamp | 10636200 | 1      |
| 7        | Cover                 | 10636401 | 1      |
| 8        | Earth screw           | 10641201 | 1      |
| 9        | Rubber grommet 16mm   | 11322600 | 4      |
| 10       | Cable clamp           | 11341000 | 1      |
| 11       | Terminal board 6.3mm  | 16403600 | 1      |

Secop GmbH • Lise-Meitner-Straße 29 • 24941 Flensburg, Germany • Tel: +49 461 4941 0 • [www.secop.com](http://www.secop.com)

Secop accepts no responsibility for possible errors in catalogs, brochures, and other printed material. Secop reserves the right to alter its products without notice. This also applies to products already on order provided that such alterations can be made without subsequent changes being necessary to specifications already agreed. All trademarks in this material are the property of the respective companies. Secop and the Secop logotype are trademarks of Secop GmbH. All rights reserved.

## Model

|             |                |                                   |             |                 |
|-------------|----------------|-----------------------------------|-------------|-----------------|
| Designation | <b>HXK95AT</b> | 200-240V/50Hz 1~ 208-230V/60Hz 1~ | Sales code: | <b>16409200</b> |
|-------------|----------------|-----------------------------------|-------------|-----------------|

## Compressor design

|                            |                                 |                       |                                |
|----------------------------|---------------------------------|-----------------------|--------------------------------|
| Oil type                   | Mineral                         | Refrigerant(s)        | <b>R600a</b>                   |
| Oil viscosity              | 5cST                            | Displacement          | 9,6cm <sup>3</sup> / 0,59cu.in |
| Oil quantity               | 162cm <sup>3</sup> / 5,5fl.oz   | Compressors on pallet | 100                            |
| Refr. charge - tech. limit | 150g / 5,3oz                    |                       |                                |
| Free gas volume comp.      | 1560cm <sup>3</sup> / 52,7fl.oz |                       |                                |
| Weight                     | 8,6kg / 19lbs                   |                       |                                |
| Motor protection           | external                        |                       |                                |
| Winding resistance main    | 15,5Ω (at 25°C)                 |                       |                                |
| Winding resistance aux     | 9,9Ω (at 25°C)                  |                       |                                |
| Max. winding temp.         | 130°C / 266°F                   |                       |                                |
| Max. discharge temp.       | 130°C / 266°F                   |                       |                                |



## General - Configurations with HXK95AT

|                        | Conf. 1  | Conf. 2       | Conf. 3       | Conf. 4       |
|------------------------|--|---------------|---------------|---------------|
| Motorconfiguration     | RSCR   | RSIR          | RSCR          | RSCR          |
| Power supply (nominal) | 200-240V/50Hz  | 200-240V/50Hz | 220-240V/50Hz | 208-230V/60Hz |
| Number of phases       | 1  | 1             | 1             | 1             |
| Voltage range          | 170-264V   | 170-264V      | 170-264V      | 198-253V      |
| Approvals              | VDE  | VDE           | VDE           | VDE           |
| Starting torque        | LST  | LST           | LST           | LST           |
| Note                   | Various options of connectors are possible - please contact SECOP-Sales. |               |               |               |

## Applications with HXK95AT

|                         | Conf. 1 | Conf. 2 | Conf. 3 | Conf. 4 |
|-------------------------|---------|---------|---------|---------|
| Refrigerant             | R600a   | R600a   | R600a   | R600a   |
| Application             | LBP     | LBP     | LBP     | LBP     |
| System cooling          | static  | static  | static  | static  |
| Hot gas defrost         | -/-     | -/-     | -/-     | -/-     |
| Long interval pull down | -/-     | -/-     | -/-     | -/-     |

## Electrical data - Configurations with HXK95AT

|                                    | Conf. 1 | Conf. 2 | Conf. 3 | Conf. 4 |
|------------------------------------|---------|---------|---------|---------|
| Starting device type               | PTC     | PTC     | PTC     | PTC     |
| Run capacitor                      | 4μF     | -/-     | 4μF     | 4μF     |
| Start capacitor                    | -/-     | -/-     | -/-     | -/-     |
| LRA (locked rotor amps / 4s/ U(N)) |         |         |         |         |
| RLA (rated load amps / 1s/ U(N))   | -/-A    | -/-A    |         | -/-A    |
| Cut in current (U(N))              |         |         |         |         |

## Model

|             |                |                                   |             |                 |
|-------------|----------------|-----------------------------------|-------------|-----------------|
| Designation | <b>HXK95AT</b> | 200-240V/50Hz 1~ 208-230V/60Hz 1~ | Sales code: | <b>16409200</b> |
|-------------|----------------|-----------------------------------|-------------|-----------------|

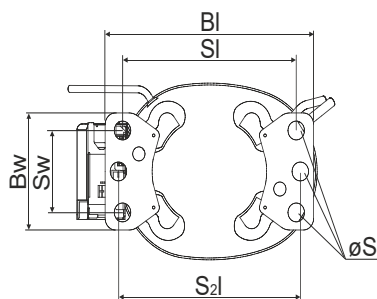
## Compressor dimensions

|                |                   |                |
|----------------|-------------------|----------------|
| <b>Housing</b> | A Height          | 174mm / 6,85in |
|                | B Height          | 167mm / 6,57in |
|                | C Length shell    | 194mm / 7,64in |
|                | D Length w. cover | 238mm / 9,37in |
|                | E Width           | 151mm / 5,94in |

| <b>Connectors</b> |                            | <b>Suction</b> | <b>Discharge</b> | <b>Process</b> |
|-------------------|----------------------------|----------------|------------------|----------------|
|                   |                            | <b>X</b>       | <b>Y</b>         | <b>Z</b>       |
| Diameter          | [mm]                       | øi 6,1-6,2     | øi 5,1-5,2       | øo 5,92-6,08   |
|                   | (i:inside, o:outside) [in] | øi 0,24-0,24   | øi 0,2-0,2       | øo 0,23-0,24   |
| Material          |                            | copper         | copper           | copper         |
| Horizontal angle  | ±2°                        | 45°            | 13°              | 0°             |
| Vertical angle    | ±2°                        | 30°            | 40°              | 145°           |
| Position l/h/w    | [mm]                       | 120/72/62      | 112/106/62       | -140/136/70    |
|                   | [in]                       | 4,7/2,8/2,4    | 4,4/4,2/2,4      | -5,5/5,4/2,8   |
| Straight tube l.  | [mm]                       | 14             | 14               | 75             |
|                   | [in]                       | 0,5            | 0,5              | 3              |

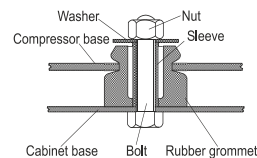


## Compressor fixation

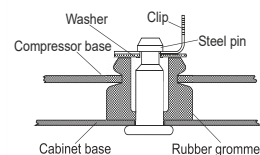


| Baseplate   | [mm] | [inch] |
|-------------|------|--------|
| BI          | 204  | 8.03   |
| BW          | 100  | 3.94   |
| Small holes |      |        |
|             | [mm] | [inch] |
| SI          | 170  | 6.7    |
| SW          | 70   | 2.76   |
| S2l         | 178  | 7      |
| øS          | ø 16 | ø 0.63 |

### Bolt joint



### Snap-on



## Mounting accessories

|   | order code          |
|---|---------------------|
| '4ZN' with rubber grommet                   | 772N                |
| '4ZN' with rubber grommet and sleeve for M6 | 768N                |
| Bolt joint kit                              | 4ZN + 118-1917 (18) |
| '4ZN' with Snap on kit                      | 776N                |

## Application notes

- Provision for PE Grounding is located at the PE Stamp on the compressor Housing with dip-tray fixture (omega bracket).
- Various options of connectors are possible - please contact SECOP-Sales.

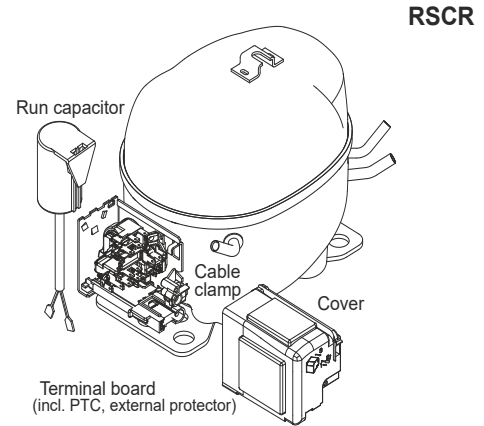
## Model

|             |                |                      |         |             |                 |
|-------------|----------------|----------------------|---------|-------------|-----------------|
| Designation | <b>HXK95AT</b> | <b>200-240V/50Hz</b> | Conf. 1 | Sales code: | <b>16409200</b> |
|-------------|----------------|----------------------|---------|-------------|-----------------|

## Configuration

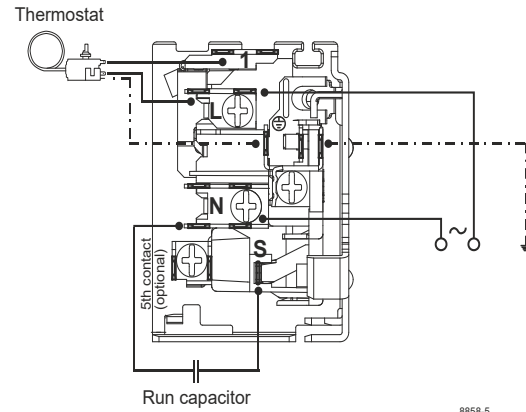
|                        |                  |
|------------------------|------------------|
| Motorconfiguration     | RSCR             |
| Power supply (nominal) | 200-240V/50Hz 1~ |
| Refrigerant            | R600a            |
| Application            | LBP              |
| Voltage range          | 170-264V         |
| Starting torque        | LST              |
| Approvals              | VDE              |

## Electrical accessories / wiring diagram

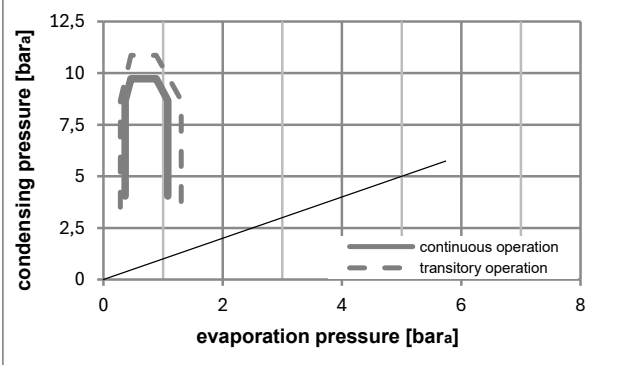
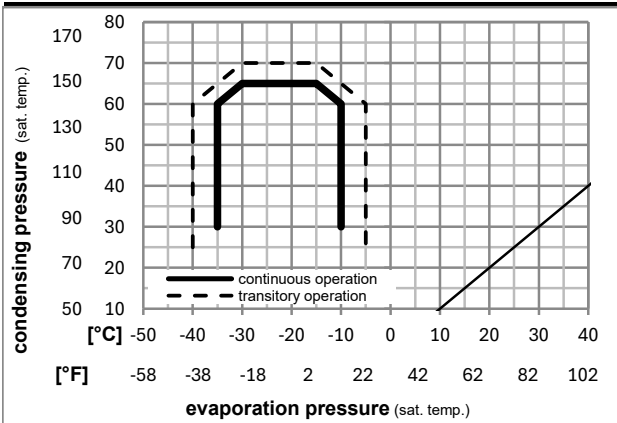


## Ambient/ machine room temperatures minimum /maximum

|                                 |                        |
|---------------------------------|------------------------|
| Ambient temperature range:      | 10 - 43°C / 50 - 110°F |
| Machine room temperature range: | 10 - 48°C / 50 - 119°F |
| Compressor cooling:             | static                 |



## Operation pressure range



## Components

|                               |          |
|-------------------------------|----------|
| . terminal board (PTC, 4.8mm) | 16403800 |
| . run capacitor (4μF, 4.8mm)  | 11261700 |
| b cover terminal board        | 10636401 |
| . cable clamp                 | 11341000 |
| . screw - uni6954             | 10636000 |
| . screw - uni6954             | 10636200 |

## Alternative components

|                         |          |
|-------------------------|----------|
| . screw uni en iso 4757 | 10641201 |
|-------------------------|----------|

### Model

|             |                |                      |         |             |                 |
|-------------|----------------|----------------------|---------|-------------|-----------------|
| Designation | <b>HXK95AT</b> | <b>200-240V/50Hz</b> | Conf. 1 | Sales code: | <b>16409200</b> |
|-------------|----------------|----------------------|---------|-------------|-----------------|

### Optimization + standard conditions

R600a, 200V/50Hz, RSCR, static, VDE

|      |      | Evaporating pressure (saturation temperature) |      |      |      | Condensing pressure (saturation temperature) |         |          | Return gas temp. |          | Liquid temp. |      | Cooling capacity |        |  | COP | EER | Power consumption |   | Current consumption |  | Ref. mass flow |  |
|------|------|---|------|------|------|--|---------|----------|------------------|----------|--------------|------|------------------|--------|--|-----|-----|-------------------|---|---------------------|--|----------------|--|
|      |      | pe  | pc   | RGT  | Tliq | [W]  | [Btu/h] | [kcal/h] | [W/W]            | [Btu/Wh] | [kcal/Wh]    | [W]  | [A]              | [kg/h] |  |     | P1  | I                 | m |                     |  |                |  |
| [°C] | [°F] | [°C]  | [°F] | [°C] | [°F] |  |         |          |                  |          |              |      |                  |        |  |     |     |                   |   |                     |  |                |  |
| -23  | -10  | 54  | 130  | 32   | 90   | 173,4  | 592     | 149,2    | 1,75             | 5,97     | 1,50         | 99,2 | 0,56             | 1,86   |  |     |     |                   |   |                     |  | ASHRAE LBP     |  |
| -25  | -13  | 55  | 131  | 32   | 90   | 130,1  | 444     | 112,0    | 1,38             | 4,70     | 1,18         | 94,6 | 0,54             | 1,70   |  |     |     |                   |   |                     |  | cecomaf LBP    |  |
| -35  | -31  | 40  | 104  | 20   | 68   | 93,8   | 320     | 80,8     | 1,45             | 4,95     | 1,25         | 64,7 | 0,43             | 1,14   |  |     |     |                   |   |                     |  | EN12900 LBP    |  |
| -23  | -10  | 49  | 120  | 4,4  | 40   | 139,8  | 477     | 120,3    | 1,45             | 4,94     | 1,25         | 96,6 | 0,55             | 2,04   |  |     |     |                   |   |                     |  | ARI540 LBP     |  |
| -23  | -10  | 41  | 105  | 32   | 90   | 179,1  | 612     | 154,1    | 1,95             | 6,67     | 1,68         | 91,7 | 0,53             | 1,92   |  |     |     |                   |   |                     |  | AHAM LBP       |  |
| -35  | -31  | 45  | 113  | 32   | 90   | 89,2   | 305     | 76,7     | 1,42             | 4,85     | 1,22         | 62,8 | 0,42             | 1,06   |  |     |     |                   |   |                     |  | opt            |  |

### Performance tables

R600a, 200V/50Hz, RSCR, static, VDE

|                  | pe   |      | Cooling capacity |         |          | COP   | EER      | P1        | I     | m    |        |
|------------------|------|------|------------------|---------|----------|-------|----------|-----------|-------|------|--------|
|                  | [°C] | [°F] | [W]              | [Btu/h] | [kcal/h] | [W/W] | [Btu/Wh] | [kcal/Wh] | [W]   | [A]  | [kg/h] |
| [°C / °F]        | -35  | -31  | 89,2             | 305     | 76,7     | 1,42  | 4,85     | 1,22      | 62,8  | 0,42 | 1,06   |
| cond. pressure   | -30  | -22  | 116,6            | 398     | 100,4    | 1,48  | 5,05     | 1,27      | 78,9  | 0,48 | 1,39   |
| pc= 45/113       | -25  | -13  | 148,6            | 507     | 127,9    | 1,64  | 5,59     | 1,41      | 90,9  | 0,53 | 1,77   |
| return gas temp. | -23  | -10  | 160,8            | 549     | 138,4    | 1,70  | 5,82     | 1,47      | 94,3  | 0,54 | 1,92   |
| RGT= 32/90       | -20  | -4   | 187,0            | 639     | 161,0    | 1,86  | 6,35     | 1,60      | 100,6 | 0,56 | 2,23   |
| liquid temp      | -15  | 5    | 233,9            | 799     | 201,3    | 2,13  | 7,27     | 1,83      | 109,8 | 0,60 | 2,79   |
| Tliq= 45/113     | -10  | 14   | 291,1            | 994     | 250,5    | 2,42  | 8,26     | 2,08      | 120,3 | 0,64 | 3,48   |
| [°C / °F]        | -35  | -31  | 60,4             | 206     | 52,0     | 1,10  | 3,75     | 0,94      | 55,1  | 0,39 | 0,79   |
| cond. pressure   | -30  | -22  | 95,2             | 325     | 81,9     | 1,23  | 4,19     | 1,06      | 77,6  | 0,47 | 1,24   |
| pc= 55/131       | -25  | -13  | 130,1            | 444     | 112,0    | 1,38  | 4,70     | 1,18      | 94,6  | 0,54 | 1,70   |
| return gas temp  | -23  | -10  | 142,4            | 486     | 122,6    | 1,43  | 4,89     | 1,23      | 99,5  | 0,56 | 1,86   |
| RGT= 32/90       | -20  | -4   | 167,3            | 571     | 144,0    | 1,55  | 5,29     | 1,33      | 108,1 | 0,59 | 2,19   |
| liquid temp      | -15  | 5    | 208,5            | 712     | 179,5    | 1,74  | 5,95     | 1,50      | 119,6 | 0,64 | 2,73   |
| Tliq= 55/131     | -10  | 14   | 255,8            | 874     | 220,2    | 1,95  | 6,67     | 1,68      | 131,0 | 0,69 | 3,36   |

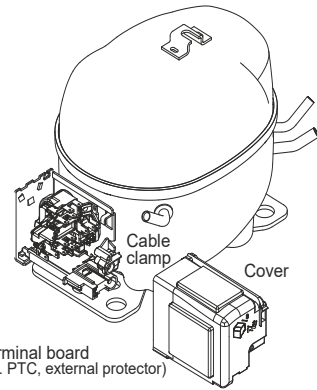
## Model

|             |                |                      |                |             |                 |
|-------------|----------------|----------------------|----------------|-------------|-----------------|
| Designation | <b>HXK95AT</b> | <b>200-240V/50Hz</b> | <b>Conf. 2</b> | Sales code: | <b>16409200</b> |
|-------------|----------------|----------------------|----------------|-------------|-----------------|

## Configuration

|                        |                  |
|------------------------|------------------|
| Motorconfiguration     | RSIR             |
| Power supply (nominal) | 200-240V/50Hz 1~ |
| Refrigerant            | R600a            |
| Application            | LBP              |
| Voltage range          | 170-264V         |
| Starting torque        | LST              |
| Approvals              | VDE              |

## Electrical accessories / wiring diagram



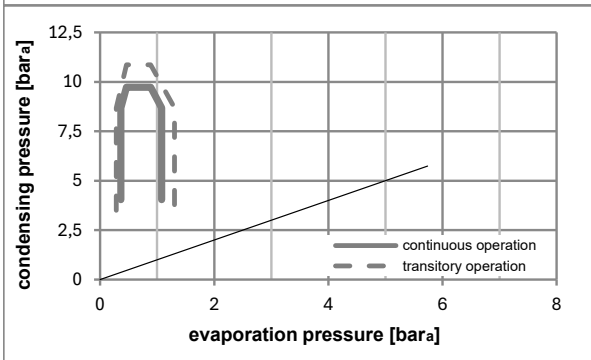
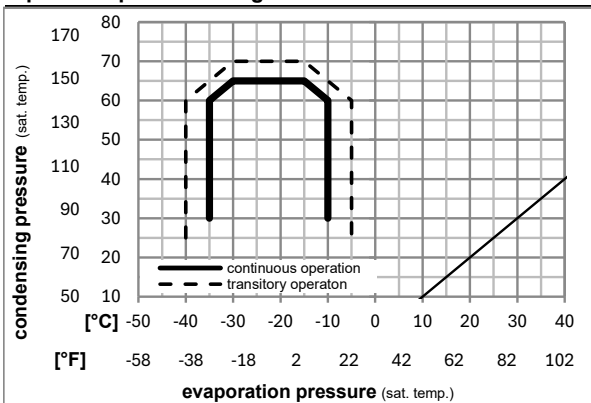
RSIR

## Ambient/ machine room temperatures minimum /maximum

|                                 |                        |
|---------------------------------|------------------------|
| Ambient temperature range:      | 10 - 43°C / 50 - 110°F |
| Machine room temperature range: | 10 - 48°C / 50 - 119°F |
| Compressor cooling:             | static                 |



## Operation pressure range



## Components

|                               |          |
|-------------------------------|----------|
| . terminal board (PTC, 4.8mm) | 16403800 |
| b cover terminal board        | 10636401 |
| . cable clamp                 | 11341000 |
| . screw - uni6954             | 10636000 |
| . screw - uni6954             | 10636200 |
| . screw uni en iso 4757       | 10641201 |

## Alternative components

|                               |          |
|-------------------------------|----------|
| . terminal board (PTC, 6.3mm) | 16403600 |
|-------------------------------|----------|

## Model

|             |                |                      |                |             |                 |
|-------------|----------------|----------------------|----------------|-------------|-----------------|
| Designation | <b>HXK95AT</b> | <b>200-240V/50Hz</b> | <b>Conf. 2</b> | Sales code: | <b>16409200</b> |
|-------------|----------------|----------------------|----------------|-------------|-----------------|

## Optimization + standard conditions

R600a, 200V/50Hz, RSIR, static, VDE

|      |      | Evaporating pressure (saturation temperature) |      |      |      | Cooling capacity |         |          | COP   | EER      | Power consumption   |       |      |        |             |
|------|------|---|------|------|------|------------------|---------|----------|-------|----------|---------------------|-------|------|--------|-------------|
|      |      | Condensing pressure (saturation temperature)  |      |      |      | Return gas temp. |         |          |       |          | Current consumption |       |      |        |             |
|      |      | Liquid temp.                                  |      |      |      | Cooling capacity |         |          |       |          | Ref. mass flow      |       |      |        |             |
|      |      | pe  | pc   | RGT  | Tliq | [W]              | [Btu/h] | [kcal/h] | [W/W] | [Btu/Wh] | [kcal/Wh]           | P1    | I    | m      |             |
| [°C] | [°F] | [°C]  | [°F] | [°C] | [°C] |                  |         |          |       |          |                     | [W]   | [A]  | [kg/h] |             |
| -23  | -10  | 54  | 130  | 32   | 32   | 173,4            | 592     | 149,2    | 1,67  | 5,69     | 1,44                | 104,0 | 0,58 | 1,86   | ASHRAE LBP  |
| -25  | -13  | 55  | 131  | 32   | 55   | 130,1            | 444     | 112,0    | 1,31  | 4,48     | 1,13                | 99,2  | 0,57 | 1,70   | cecomaf LBP |
| -35  | -31  | 40  | 104  | 20   | 40   | 93,8             | 320     | 80,8     | 1,38  | 4,73     | 1,19                | 67,8  | 0,45 | 1,14   | EN12900 LBP |
| -23  | -10  | 49  | 120  | 4,4  | 49   | 139,8            | 477     | 120,3    | 1,38  | 4,72     | 1,19                | 101,2 | 0,57 | 2,04   | ARI540 LBP  |
| -23  | -10  | 41  | 105  | 32   | 32   | 179,1            | 612     | 154,1    | 1,86  | 6,37     | 1,60                | 96,1  | 0,55 | 1,92   | AHAM LBP    |
| -35  | -31  | 45  | 113  | 32   | 45   | 89,2             | 305     | 76,7     | 1,35  | 4,62     | 1,17                | 65,9  | 0,44 | 1,06   | opt         |

## Performance tables

R600a, 200V/50Hz, RSIR, static, VDE

|                  | pe   |      | Cooling capacity |         |          | COP   | EER      | P1        |       |      | I      | m |
|------------------|------|------|------------------|---------|----------|-------|----------|-----------|-------|------|--------|---|
|                  | [°C] | [°F] | [W]              | [Btu/h] | [kcal/h] | [W/W] | [Btu/Wh] | [kcal/Wh] | [W]   | [A]  | [kg/h] |   |
| [°C / °F]        | -35  | -31  | 89,2             | 305     | 76,7     | 1,35  | 4,62     | 1,17      | 65,9  | 0,44 | 1,06   |   |
| cond. pressure   | -30  | -22  | 116,6            | 398     | 100,4    | 1,41  | 4,82     | 1,21      | 82,6  | 0,50 | 1,39   |   |
| pc= 45/113       | -25  | -13  | 148,6            | 507     | 127,9    | 1,56  | 5,33     | 1,34      | 95,2  | 0,55 | 1,77   |   |
| return gas temp. | -23  | -10  | 160,8            | 549     | 138,4    | 1,63  | 5,56     | 1,40      | 98,9  | 0,57 | 1,92   |   |
| RGT= 32/90       | -20  | -4   | 187,0            | 639     | 161,0    | 1,77  | 6,06     | 1,53      | 105,4 | 0,59 | 2,23   |   |
| liquid temp      | -15  | 5    | 233,9            | 799     | 201,3    | 2,03  | 6,94     | 1,75      | 115,1 | 0,63 | 2,79   |   |
| Tliq= 45/113     | -10  | 14   | 291,1            | 994     | 250,5    | 2,31  | 7,88     | 1,99      | 126,1 | 0,67 | 3,48   |   |
| [°C / °F]        | -35  | -31  | 60,4             | 206     | 52,0     | 1,05  | 3,57     | 0,90      | 57,7  | 0,41 | 0,79   |   |
| cond. pressure   | -30  | -22  | 95,2             | 325     | 81,9     | 1,17  | 4,00     | 1,01      | 81,3  | 0,50 | 1,24   |   |
| pc= 55/131       | -25  | -13  | 130,1            | 444     | 112,0    | 1,31  | 4,48     | 1,13      | 99,2  | 0,57 | 1,70   |   |
| return gas temp  | -23  | -10  | 142,4            | 486     | 122,6    | 1,37  | 4,66     | 1,18      | 104,3 | 0,59 | 1,86   |   |
| RGT= 32/90       | -20  | -4   | 167,3            | 571     | 144,0    | 1,48  | 5,04     | 1,27      | 113,3 | 0,62 | 2,19   |   |
| liquid temp      | -15  | 5    | 208,5            | 712     | 179,5    | 1,66  | 5,68     | 1,43      | 125,4 | 0,67 | 2,73   |   |
| Tliq= 55/131     | -10  | 14   | 255,8            | 874     | 220,2    | 1,86  | 6,36     | 1,60      | 137,3 | 0,72 | 3,36   |   |

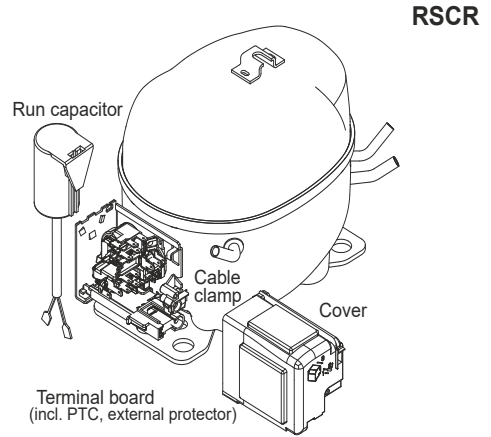
## Model

Designation **HXK95AT** **220-240V/50Hz** Conf. 3 Sales code: **16409200**

## Configuration

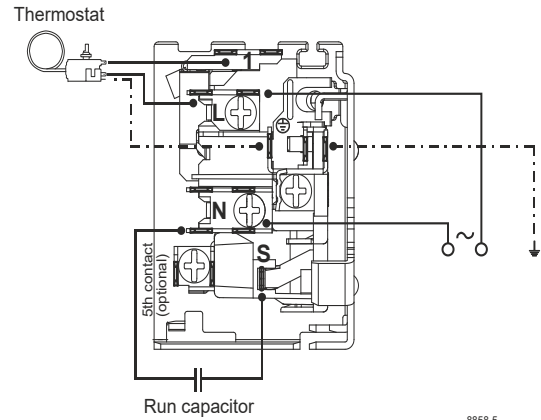
Motorconfiguration RSCR  
 Power supply (nominal) 220-240V/50Hz 1~  
 Refrigerant R600a  
 Application LBP  
 Voltage range 170-264V  
 Starting torque LST  
 Approvals VDE

## Electrical accessories / wiring diagram

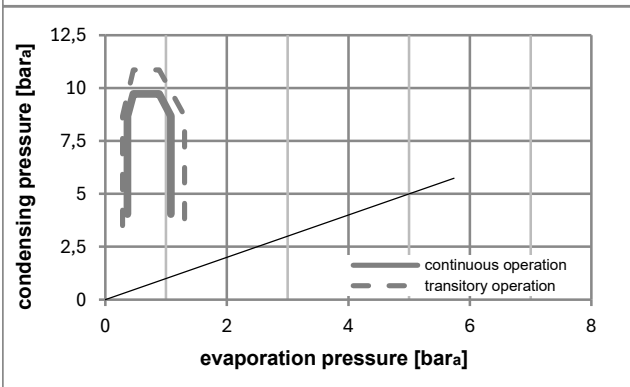
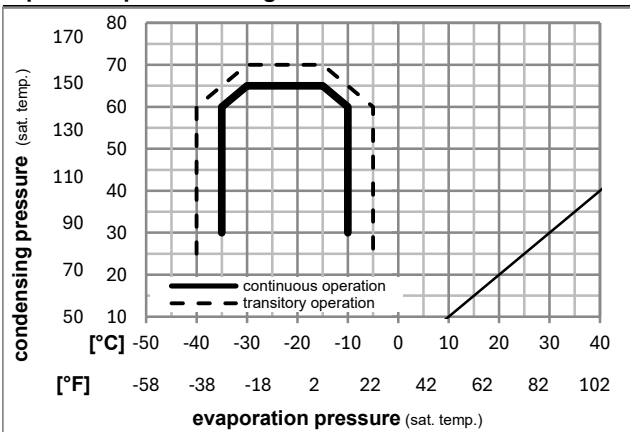


## Ambient/ machine room temperatures minimum /maximum

Ambient temperature range: 10 - 43°C / 50 - 110°F  
 Machine room temperature range: 10 - 48°C / 50 - 119°F  
 Compressor cooling: static



## Operation pressure range



## Components

- . terminal board (PTC, 4.8mm) 16403800
- . run capacitor (4μF, 4.8mm) 11261700
- b cover terminal board 10636401
- . cable clamp 11341000
- . screw - uni6954 10636000
- . screw - uni6954 10636200

## Alternative components

- . screw uni en iso 4757 10641201



## Model

|             |                |                      |                |             |                 |
|-------------|----------------|----------------------|----------------|-------------|-----------------|
| Designation | <b>HXK95AT</b> | <b>220-240V/50Hz</b> | <b>Conf. 3</b> | Sales code: | <b>16409200</b> |
|-------------|----------------|----------------------|----------------|-------------|-----------------|

## Optimization + standard conditions

R600a, 230V/50Hz, RSCR, static, VDE

|      | Evaporating pressure (saturation temperature) |     |     |      | Cooling capacity |         |          | COP  | EER  | P1   | Power consumption |        | Ref. mass flow |                    |
|------|---|-----|-----|------|------------------|---------|----------|------|------|------|-------------------|--------|----------------|--------------------|
|      | pe  | pc  | RGT | Tliq | [W]              | [Btu/h] | [kcal/h] |      |      |      | [A]               | [kg/h] |                |                    |
| [°C] | -23   | 54  | 32  | 32   | 173,4            | 592     | 149,2    | 1,68 | 5,73 | 1,44 | 103,4             | 0,58   | 1,86           | <b>ASHRAE LBP</b>  |
| [°F] | -10   | 130 | 90  | 90   |                  |         |          |      |      |      |                   |        |                |                    |
| [°C] | -25   | 55  | 32  | 55   | 130,1            | 444     | 112,0    | 1,32 | 4,51 | 1,14 | 98,6              | 0,56   | 1,70           | <b>cecomaf LBP</b> |
| [°F] | -13   | 131 | 90  | 131  |                  |         |          |      |      |      |                   |        |                |                    |
| [°C] | -35   | 40  | 20  | 40   | 93,8             | 320     | 80,8     | 1,39 | 4,75 | 1,20 | 67,4              | 0,45   | 1,14           | <b>EN12900 LBP</b> |
| [°F] | -31   | 104 | 68  | 104  |                  |         |          |      |      |      |                   |        |                |                    |
| [°C] | -23   | 49  | 4,4 | 49   | 139,8            | 477     | 120,3    | 1,39 | 4,74 | 1,20 | 100,6             | 0,57   | 2,04           | <b>ARI540 LBP</b>  |
| [°F] | -10   | 120 | 40  | 120  |                  |         |          |      |      |      |                   |        |                |                    |
| [°C] | -23   | 41  | 32  | 32   | 179,1            | 612     | 154,1    | 1,87 | 6,40 | 1,61 | 95,5              | 0,55   | 1,92           | <b>AHAM LBP</b>    |
| [°F] | -10   | 105 | 90  | 90   |                  |         |          |      |      |      |                   |        |                |                    |
| [°C] | -35   | 45  | 32  | 45   | 89,2             | 305     | 76,7     | 1,36 | 4,65 | 1,17 | 65,5              | 0,44   | 1,06           | <b>opt</b>         |
| [°F] | -31   | 113 | 90  | 113  |                  |         |          |      |      |      |                   |        |                |                    |

## Performance tables

R600a, 230V/50Hz, RSCR, static, VDE

|                  | pe   |      | Cooling capacity |         |          | COP  | EER      |           | P1    | I    | m    |
|------------------|------|------|------------------|---------|----------|------|----------|-----------|-------|------|------|
|                  | [°C] | [°F] | [W]              | [Btu/h] | [kcal/h] |      | [Btu/Wh] | [kcal/Wh] |       |      |      |
| [°C / °F]        | -35  | -31  | 89,2             | 305     | 76,7     | 1,36 | 4,65     | 1,17      | 65,5  | 0,44 | 1,06 |
| cond. pressure   | -30  | -22  | 116,6            | 398     | 100,4    | 1,42 | 4,85     | 1,22      | 82,2  | 0,50 | 1,39 |
| pc= 45/113       | -25  | -13  | 148,6            | 507     | 127,9    | 1,57 | 5,36     | 1,35      | 94,7  | 0,55 | 1,77 |
| return gas temp. | -23  | -10  | 160,8            | 549     | 138,4    | 1,64 | 5,59     | 1,41      | 98,3  | 0,56 | 1,92 |
| RGT= 32/90       | -20  | -4   | 187,0            | 639     | 161,0    | 1,78 | 6,09     | 1,54      | 104,8 | 0,59 | 2,23 |
| liquid temp      | -15  | 5    | 233,9            | 799     | 201,3    | 2,04 | 6,98     | 1,76      | 114,4 | 0,63 | 2,79 |
| Tliq= 45/113     | -10  | 14   | 291,1            | 994     | 250,5    | 2,32 | 7,93     | 2,00      | 125,4 | 0,67 | 3,48 |
| [°C / °F]        | -35  | -31  | 60,4             | 206     | 52,0     | 1,05 | 3,60     | 0,91      | 57,4  | 0,41 | 0,79 |
| cond. pressure   | -30  | -22  | 95,2             | 325     | 81,9     | 1,18 | 4,02     | 1,01      | 80,8  | 0,49 | 1,24 |
| pc= 55/131       | -25  | -13  | 130,1            | 444     | 112,0    | 1,32 | 4,51     | 1,14      | 98,6  | 0,56 | 1,70 |
| return gas temp  | -23  | -10  | 142,4            | 486     | 122,6    | 1,37 | 4,69     | 1,18      | 103,7 | 0,58 | 1,86 |
| RGT= 32/90       | -20  | -4   | 167,3            | 571     | 144,0    | 1,49 | 5,07     | 1,28      | 112,6 | 0,62 | 2,19 |
| liquid temp      | -15  | 5    | 208,5            | 712     | 179,5    | 1,67 | 5,71     | 1,44      | 124,6 | 0,67 | 2,73 |
| Tliq= 55/131     | -10  | 14   | 255,8            | 874     | 220,2    | 1,87 | 6,40     | 1,61      | 136,5 | 0,72 | 3,36 |

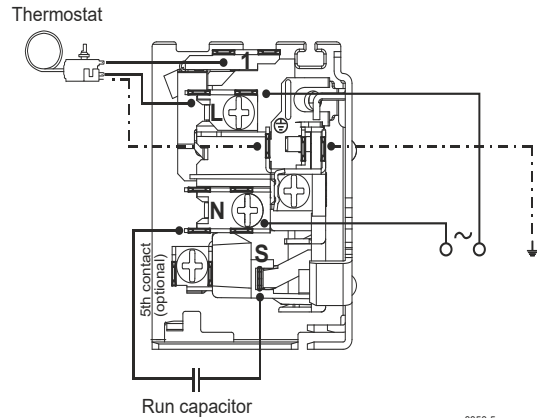
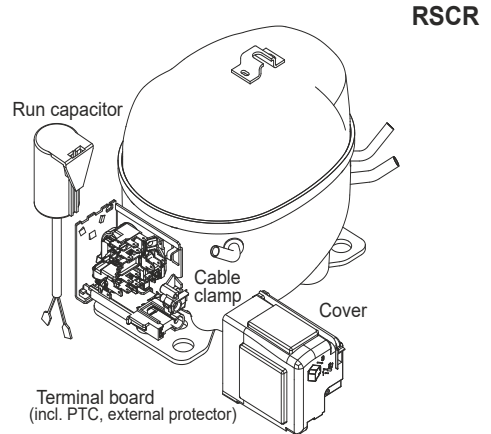
## Model

Designation **HXK95AT** **208-230V/60Hz** Conf. 4 Sales code: **16409200**

## Configuration

Motorconfiguration RSCR  
 Power supply (nominal) 208-230V/60Hz 1~  
 Refrigerant R600a  
 Application LBP  
 Voltage range 198-253V  
 Starting torque LST  
 Approvals VDE

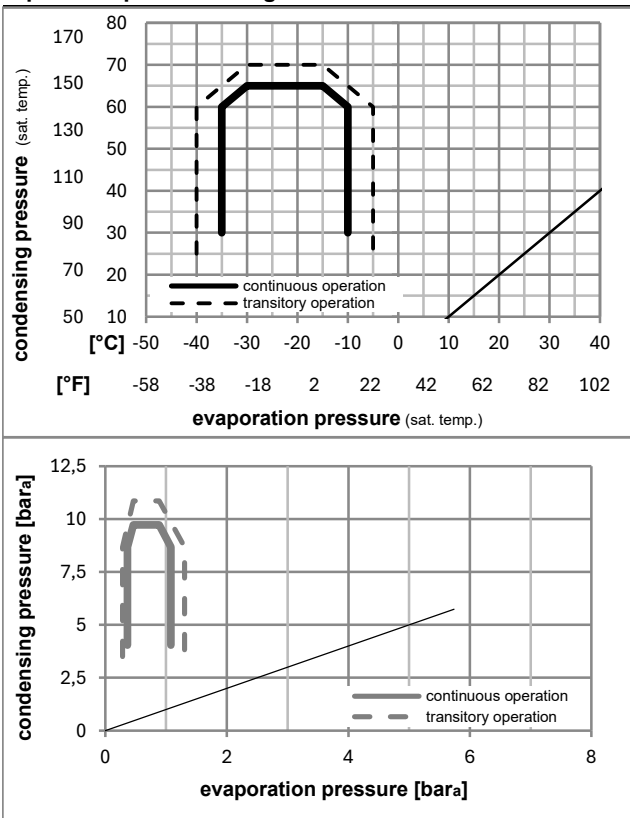
## Electrical accessories / wiring diagram



## Ambient/ machine room temperatures minimum /maximum

Ambient temperature range: 10 - 43°C / 50 - 110°F  
 Machine room temperature range: 10 - 48°C / 50 - 119°F  
 Compressor cooling: static

## Operation pressure range



## Components

- . terminal board (PTC, 4.8mm) 16403800
- . run capacitor (4μF, 4.8mm) 11261700
- b cover terminal board 10636401
- . cable clamp 11341000
- . screw - uni6954 10636000
- . screw - uni6954 10636200

## Alternative components

- . screw uni en iso 4757 10641201

## Model

|             |                |                      |                |             |                 |
|-------------|----------------|----------------------|----------------|-------------|-----------------|
| Designation | <b>HXK95AT</b> | <b>208-230V/60Hz</b> | <b>Conf. 4</b> | Sales code: | <b>16409200</b> |
|-------------|----------------|----------------------|----------------|-------------|-----------------|

## Optimization + standard conditions

R600a, 220V/60Hz, RSCR, static, VDE

|      | Evaporating pressure (saturation temperature) |     |     |      | Cooling capacity |         |          | COP  | EER  | P1   | Power consumption |        | Ref. mass flow |                    |
|------|---|-----|-----|------|------------------|---------|----------|------|------|------|-------------------|--------|----------------|--------------------|
|      | pe  | pc  | RGT | Tliq | [W]              | [Btu/h] | [kcal/h] |      |      |      | [A]               | [kg/h] |                |                    |
| [°C] | -23   | 54  | 32  | 32   | 200,6            | 685     | 172,7    | 1,77 | 6,04 | 1,52 | 113,5             | 0,59   | 2,15           | <b>ASHRAE LBP</b>  |
| [°F] | -10   | 130 | 90  | 90   |                  |         |          |      |      |      |                   |        |                |                    |
| [°C] | -25   | 55  | 32  | 55   | 151,3            | 517     | 130,3    | 1,39 | 4,73 | 1,19 | 109,2             | 0,56   | 1,97           | <b>cecomaf LBP</b> |
| [°F] | -13   | 131 | 90  | 131  |                  |         |          |      |      |      |                   |        |                |                    |
| [°C] | -35   | 40  | 20  | 40   | 115,8            | 396     | 99,7     | 1,36 | 4,66 | 1,17 | 84,9              | 0,40   | 1,41           | <b>EN12900 LBP</b> |
| [°F] | -31   | 104 | 68  | 104  |                  |         |          |      |      |      |                   |        |                |                    |
| [°C] | -23   | 49  | 4,4 | 49   | 161,0            | 550     | 138,5    | 1,46 | 4,98 | 1,26 | 110,4             | 0,58   | 2,35           | <b>ARI540 LBP</b>  |
| [°F] | -10   | 120 | 40  | 120  |                  |         |          |      |      |      |                   |        |                |                    |
| [°C] | -23   | 41  | 32  | 32   | 206,5            | 705     | 177,7    | 1,97 | 6,73 | 1,69 | 104,9             | 0,56   | 2,22           | <b>AHAM LBP</b>    |
| [°F] | -10   | 105 | 90  | 90   |                  |         |          |      |      |      |                   |        |                |                    |
| [°C] | -35   | 45  | 32  | 45   | 113,7            | 388     | 97,9     | 1,31 | 4,49 | 1,13 | 86,5              | 0,38   | 1,35           | <b>opt</b>         |
| [°F] | -31   | 113 | 90  | 113  |                  |         |          |      |      |      |                   |        |                |                    |

## Performance tables

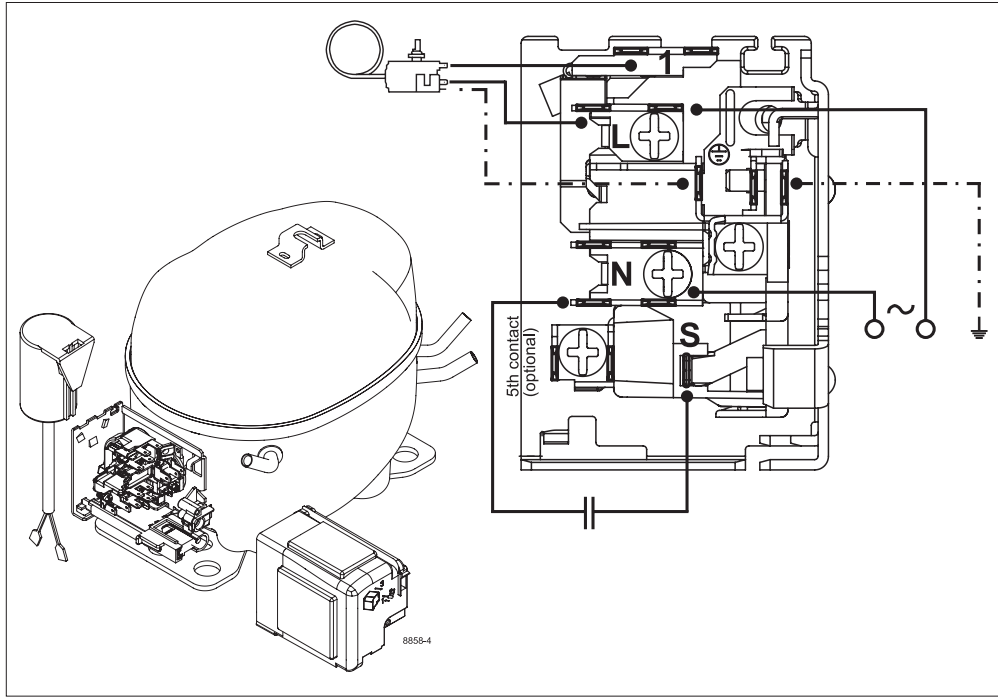
R600a, 220V/60Hz, RSCR, static, VDE

|                  | pe   |      | Cooling capacity |         |          | COP  | EER      |           | P1    | I    | m    |
|------------------|------|------|------------------|---------|----------|------|----------|-----------|-------|------|------|
|                  | [°C] | [°F] | [W]              | [Btu/h] | [kcal/h] |      | [Btu/Wh] | [kcal/Wh] |       |      |      |
| [°C / °F]        | -35  | -31  | 113,7            | 388     | 97,9     | 1,31 | 4,49     | 1,13      | 86,5  | 0,38 | 1,35 |
| cond. pressure   | -30  | -22  | 135,6            | 463     | 116,7    | 1,44 | 4,92     | 1,24      | 94,1  | 0,47 | 1,61 |
| pc= 45/113       | -25  | -13  | 170,3            | 582     | 146,6    | 1,64 | 5,59     | 1,41      | 104,1 | 0,55 | 2,03 |
| return gas temp. | -23  | -10  | 184,9            | 632     | 159,1    | 1,71 | 5,85     | 1,47      | 107,9 | 0,57 | 2,20 |
| RGT= 32/90       | -20  | -4   | 217,0            | 741     | 186,7    | 1,87 | 6,40     | 1,61      | 115,8 | 0,60 | 2,59 |
| liquid temp      | -15  | 5    | 274,5            | 938     | 236,3    | 2,13 | 7,29     | 1,84      | 128,6 | 0,65 | 3,28 |
| Tliq= 45/113     | -10  | 14   | 342,1            | 1168    | 294,4    | 2,41 | 8,23     | 2,07      | 142,0 | 0,71 | 4,10 |
| [°C / °F]        | -35  | -31  | 95,3             | 326     | 82,0     | 1,10 | 3,76     | 0,95      | 86,6  | 0,32 | 1,24 |
| cond. pressure   | -30  | -22  | 118,1            | 403     | 101,7    | 1,22 | 4,17     | 1,05      | 96,8  | 0,46 | 1,54 |
| pc= 55/131       | -25  | -13  | 151,3            | 517     | 130,3    | 1,39 | 4,73     | 1,19      | 109,2 | 0,56 | 1,97 |
| return gas temp  | -23  | -10  | 164,8            | 563     | 141,9    | 1,45 | 4,94     | 1,25      | 113,8 | 0,59 | 2,15 |
| RGT= 32/90       | -20  | -4   | 194,0            | 663     | 167,0    | 1,57 | 5,38     | 1,36      | 123,2 | 0,64 | 2,54 |
| liquid temp      | -15  | 5    | 245,2            | 837     | 211,0    | 1,77 | 6,06     | 1,53      | 138,2 | 0,70 | 3,21 |
| Tliq= 55/131     | -10  | 14   | 303,9            | 1038    | 261,6    | 1,98 | 6,76     | 1,70      | 153,4 | 0,77 | 3,99 |



# K-Series Compressors

## GTK, HKK, HMK, HTK, HXK, HZK

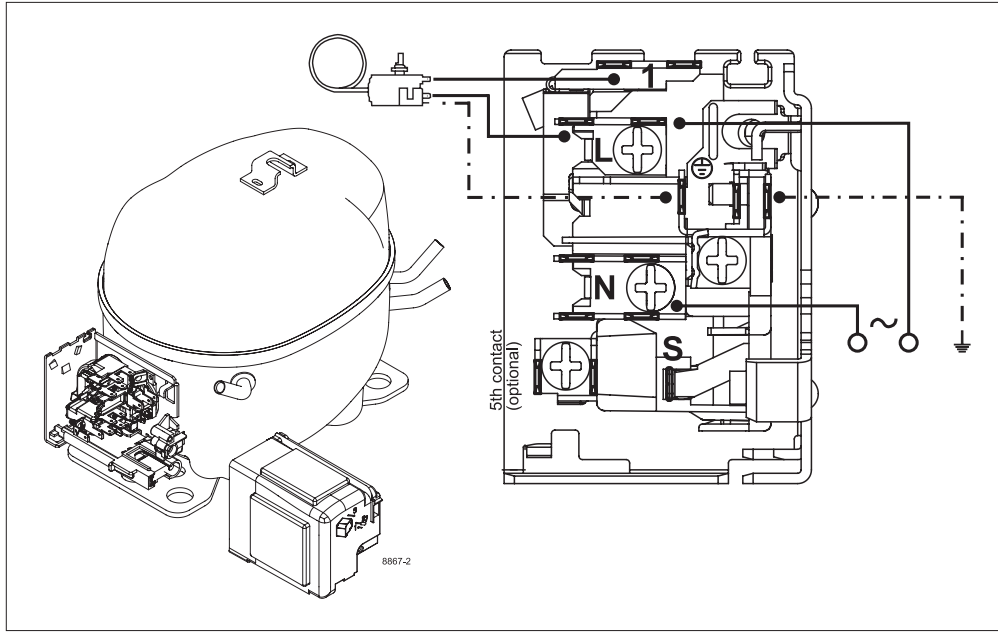


### Service/Repair – R600a



# K-Series Compressors

## GTK, HKK, HMK, HTK, HXK, HZK



### Service/Repair – R600a

Secop accepts no responsibility for possible errors in catalogs, brochures, and other printed material. Secop reserves the right to alter its products without notice. This also applies to products already on order provided that such alterations can be made without subsequential changes being necessary to specifications already agreed. All trademarks in this material are the property of the respective companies. Secop and the Secop logotype are trademarks of Secop GmbH. All rights reserved. [www.secop.com](http://www.secop.com)