

## Single Pack NLE12.6CNL 220-240V 50Hz CSIR

Single pack code number: **195B4658**

Position	Title	Code	Amount
1	Compressor NLE12.6CNL	105H6378	1
2	Starting relay	117U7003	1
3	Cord relief	103N1010	1
4	Cover	103N2010	1
5	Starting capacitor (80 $\mu$ F 260V, 6.3mm)	117U5079	1
6	Bolt joint for one compressor   M6   $\varnothing$ 16mm	118-1917	1

Secop GmbH • Lise-Meitner-Straße 29 • 24941 Flensburg, Germany • Tel: +49 461 4941 0 • [www.secop.com](http://www.secop.com)

Secop accepts no responsibility for possible errors in catalogs, brochures, and other printed material. Secop reserves the right to alter its products without notice. This also applies to products already on order provided that such alterations can be made without subsequent changes being necessary to specifications already agreed. All trademarks in this material are the property of the respective companies. Secop and the Secop logotype are trademarks of Secop GmbH. All rights reserved.

## Model

Designation	<b>NLE12.6CNL</b>	220-240V/50Hz 1~	Sales code:	<b>105H6378</b>
-------------	-------------------	------------------	-------------	-----------------

## Compressor design

Oil type	Polyolester	Refrigerant(s)	<b>R290</b>
Oil viscosity	32cSt	Displacement	12,55cm <sup>3</sup> / 0,77cu.in
Oil quantity	298cm <sup>3</sup> / 10,1fl.oz	Compressors on pallet	80
Refr. charge - tech. limit	300g / 10,6oz		
Free gas volume comp.	2360cm <sup>3</sup> / 79,8fl.oz		
Weight	11,8kg / 26lbs		
Motor protection	1# internal		
Winding resistance main	5,9Ω (at 25°C)		
Winding resistance aux	10,8Ω (at 25°C)		
Max. winding temp.	125°C / 257°F		
Max. discharge temp.	130°C / 266°F		



## General - Configurations with NLE12.6CNL

	<b>Conf. 1</b>	<b>Conf. 2</b>	<b>Conf. 3</b>
Motorconfiguration	CSIR	eRSIR	eRSCR
Power supply (nominal)	220-240V/50Hz	220-240V/50Hz	220-240V/50Hz
Number of phases	1	1	1
Voltage range	198-254V	198-254V	198-254V
Approvals	VDE, CCC	VDE, CCC	VDE, CCC
Starting torque	HST	LST	LST
Note	- / -		

## Applications with NLE12.6CNL

	<b>Conf. 1</b>	<b>Conf. 2</b>	<b>Conf. 3</b>
Refrigerant	R290	R290	R290
Application	LBP	LBP	LBP
System cooling	fan 3m/s	fan 3m/s	fan 3m/s
Hot gas defrost	OK	OK	OK
Long interval pull down	OK	OK	-/-

## Electrical data - Configurations with NLE12.6CNL

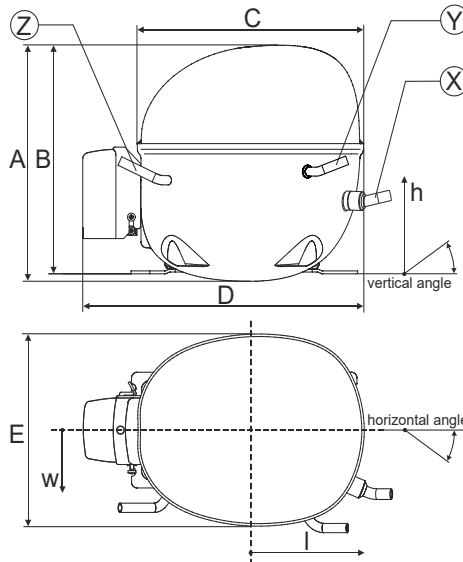
	<b>Conf. 1</b>	<b>Conf. 2</b>	<b>Conf. 3</b>
Starting device type	relay	e-PTC	e-PTC
Run capacitor	-/-	-/-	4μF
Start capacitor	80μF	-/-	-/-
LRA (locked rotor amps / 4s/ U(N))	14,2A		15,3A
RLA (rated load amps / 1s/ U(N))	2,7A	-/-A	2,7A
Cut in current (U(N))			19,2A

## Model

Designation	<b>NLE12.6CNL</b>	220-240V/50Hz 1~	Sales code:	<b>105H6378</b>
-------------	-------------------	------------------	-------------	-----------------

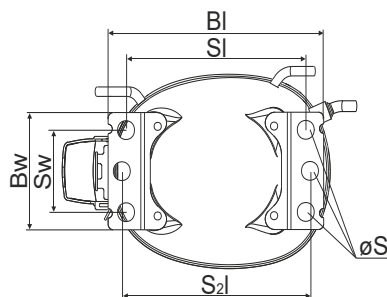
## Compressor dimensions

<b>Housing</b>	A Height	203mm / 7,99in
	B Height	197mm / 7,76in
	C Length shell	205mm / 8,07in
	D Length w. cover	254mm / 10in
	E Width	166mm / 6,54in



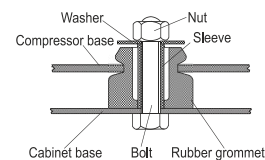
Connectors		Suction	Discharge	Process
		X	Y	Z
Diameter	[mm]	øi 8,11-8,29	øi 6,11-6,29	øi 6,11-6,29
(i:inside, o:outside)	[in]	øi 0,32-0,33	øi 0,24-0,25	øi 0,24-0,25
Material		copper	copper	copper
Horizontal angle	±2°	0°	0°	0°
Vertical angle	±2°	15°	21°	155°
Position l/h/w	[mm]	132/69/57	94/102/81	-109/94/72
	[in]	5,2/2,7/2,2	3,7/4/3,2	-4,3/3,7/2,8
Straight tube l.	[mm]	12	12	12
	[in]	0,5	0,5	0,5

## Compressor fixation

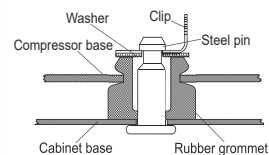


Baseplate	[mm]	[inch]
BI	204	8.03
BW	100	3.94
Small holes	[mm]	[inch]
SI	170	6.7
Sw	70	2.76
S2l	178	7
øS	ø 16	ø 0.63

### Bolt joint



### Snap-on



## Mounting accessories

Mounting accessories	one comp.	multi pack
Bolt joint   M6   ø16mm	118-1917	118-1918
Bolt joint   ø1/4"   ø16mm	118-1946	
Snap-on   ø7,3   ø16mm	118-1947	118-1919

## Application notes

Provision for PE Grounding is located at the PE Stamp on the compressor

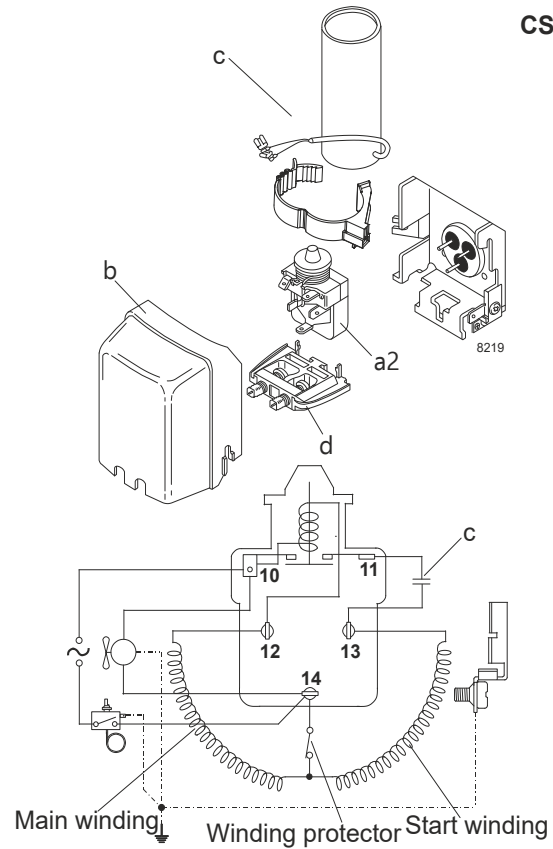
## Model

Designation	<b>NLE12.6CNL</b>	<b>220-240V/50Hz</b>	<b>Conf. 1</b>	Sales code:	<b>105H6378</b>
-------------	-------------------	----------------------	----------------	-------------	-----------------

## Configuration

Motorconfiguration	CSIR
Power supply (nominal)	220-240V/50Hz 1~
Refrigerant	R290
Application	LBP
Voltage range	198-254V
Starting torque	HST
Approvals	VDE CCC

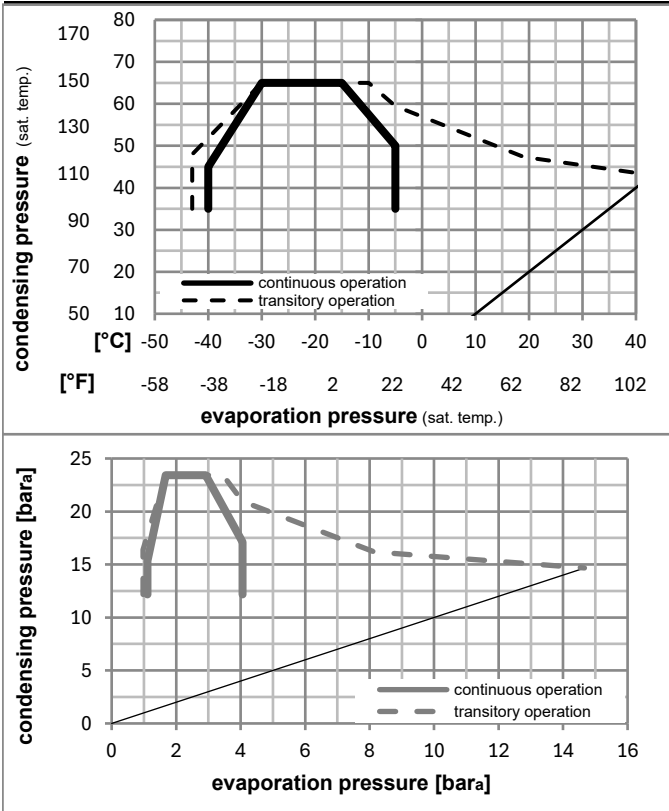
## Electrical accessories / wiring diagram



## Ambient/ machine room temperatures minimum /maximum

Ambient temperature range:	10 - 43°C / 50 - 110°F
Machine room temperature range:	10 - 48°C / 50 - 119°F
Compressor cooling:	fan 3m/s

## Operation pressure range



## Components

a2	relay	117U7003
c	start capacitor (80μF)	117U5015
b	plastic cover	103N2010
d	cord relief	103N1010

## Alternative components

a2	relay	117U7053
c	start capacitor (80μF)	117U5079
b	plastic cover	103N2011

### Model

Designation **NLE12.6CNL** **220-240V/50Hz** Conf. 1 Sales code: **105H6378**

### Optimization + standard conditions

R290, 220V/50Hz, CSIR, fan 3m/s, VDE, CCC

		Evaporating pressure (saturation temperature)				Condensing pressure (saturation temperature)			Return gas temp.		Liquid temp.		Cooling capacity			COP	EER	Power consumption		
		pe	pc	RGT	Tliq	[W]	[Btu/h]	[kcal/h]	[W/W]	[Btu/Wh]	[kcal/Wh]	P1	I	Current consumption		Ref. mass flow				
[°C]	[°F]	[°C]	[°F]	[°C]	[°F]	[W]	[Btu/h]	[kcal/h]	[W/W]	[Btu/Wh]	[kcal/Wh]	[W]	[A]	[A]	[kg/h]					
-23	-10	54	130	32	90	609,8	2083	524,8	1,62	5,55	1,40	375,5	2,24	6,18					ASHRAE LBP	
-25	-13	55	131	32	90	459,7	1570	395,6	1,27	4,33	1,09	362,2	2,19	5,72					cecomaf LBP	
-35	-31	40	104	20	68	354,2	1210	304,8	1,33	4,55	1,15	265,6	1,87	4,05					EN12900 LBP	
-23	-10	49	120	4,4	40	493,6	1686	424,8	1,36	4,64	1,17	363,1	2,20	6,84					ARI540 LBP	
-23	-10	41	105	32	90	659,7	2253	567,8	1,91	6,53	1,65	345,0	2,13	6,68					AHAM LBP	
-35	-31	45	113	32	90	338,9	1157	291,6	1,25	4,28	1,08	270,4	1,89	3,80					opt	

### Performance tables

R290, 220V/50Hz, CSIR, fan 3m/s, VDE, CCC

	pe		Cooling capacity			COP	EER	P1	I	m	
	[°C]	[°F]	[W]	[Btu/h]	[kcal/h]	[W/W]	[Btu/Wh]	[kcal/Wh]	[W]	[A]	[kg/h]
[°C / °F]	-40	-40	258,9	884	222,8	1,11	3,78	0,95	233,9	1,78	2,89
cond. pressure	-35	-31	338,9	1157	291,6	1,25	4,28	1,08	270,4	1,89	3,80
pc= 45/113	-30	-22	430,1	1469	370,2	1,41	4,80	1,21	306,1	2,00	4,83
return gas temp.	-25	-13	536,4	1832	461,6	1,57	5,36	1,35	341,9	2,12	6,05
RGT= 32/90	-20	-4	661,6	2259	569,4	1,75	5,97	1,50	378,6	2,26	7,49
liquid temp	-15	5	809,3	2764	696,5	1,94	6,63	1,67	417,1	2,41	9,21
Tliq= 45/113	-5	23	1187,9	4057	1022,3	2,36	8,07	2,03	503,0	2,78	13,68
[°C / °F]	-40	-40	215,7	737	185,7	0,91	3,09	0,78	238,1	1,77	2,66
cond. pressure	-35	-31	287,2	981	247,2	1,03	3,52	0,89	279,0	1,90	3,55
pc= 55/131	-30	-22	367,3	1254	316,1	1,15	3,92	0,99	320,1	2,04	4,56
return gas temp	-25	-13	459,7	1570	395,6	1,27	4,33	1,09	362,2	2,19	5,72
RGT= 32/90	-20	-4	568,3	1941	489,1	1,40	4,78	1,20	406,1	2,36	7,11
liquid temp	-15	5	696,7	2379	599,6	1,54	5,25	1,32	452,8	2,55	8,76
Tliq= 55/131	-5	23	1028,4	3512	885,1	1,84	6,30	1,59	557,8	3,00	13,10

## Model

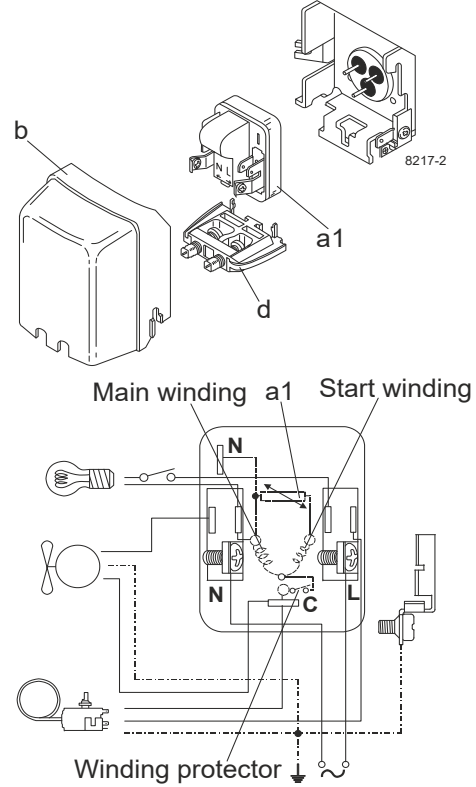
Designation	<b>NLE12.6CNL</b>	<b>220-240V/50Hz</b>	<b>Conf. 2</b>	Sales code:	<b>105H6378</b>
-------------	-------------------	----------------------	----------------	-------------	-----------------

## Configuration

Motorconfiguration	eRSIR
Power supply (nominal)	220-240V/50Hz 1~
Refrigerant	R290
Application	LBP
Voltage range	198-254V
Starting torque	LST
Approvals	VDE CCC

## Electrical accessories / wiring diagram

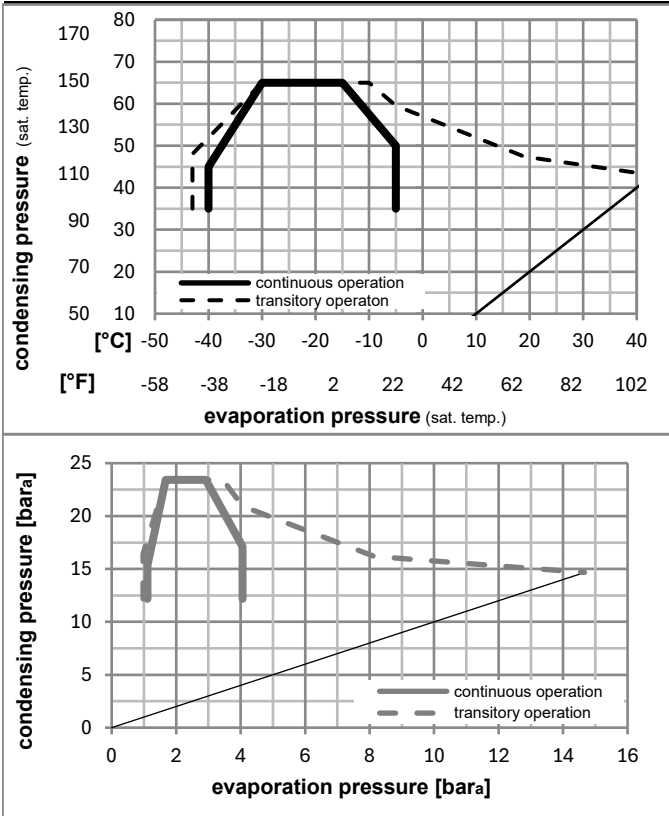
RSIR



## Ambient/ machine room temperatures minimum /maximum

Ambient temperature range:	10 - 43°C / 50 - 110°F
Machine room temperature range:	10 - 48°C / 50 - 119°F
Compressor cooling:	fan 3m/s

## Operation pressure range



## Components

a1	e-PTC starter (220V, 250hm, 4.8mm)	103N0050
b	plastic cover	103N2010
d	cord relief	103N1010

## Alternative components

b	plastic cover	103N2011
---	---------------	----------

## Model

Designation **NLE12.6CNL** **220-240V/50Hz** Conf. 2 Sales code: **105H6378**

## Optimization + standard conditions

R290, 220V/50Hz, eRSIR, fan 3m/s, VDE, CCC

	Evaporating pressure (saturation temperature)				Cooling capacity			COP	EER			Power consumption			ASHRAE LBP
	pe	pc	RGT	Tliq	[W]	[Btu/h]	[kcal/h]		[W/W]	[Btu/Wh]	[kcal/Wh]	P1	I	m	
	[°C]	[°C]	[°C]	[°C]							[W]	[A]	[kg/h]		
	-23	54	32	32	609,8	2083	524,8	1,62	5,55	1,40	375,5	2,24	6,18		
	[°F]														
	-10	130	90	90											
	[°C]	-25	55	32	55	459,7	1570	395,6	1,27	4,33	1,09	362,2	2,19	5,72	cecomaf LBP
	[°F]	-13	131	90	131										
	[°C]	-35	40	20	40	354,2	1210	304,8	1,33	4,55	1,15	265,6	1,87	4,05	EN12900 LBP
	[°F]	-31	104	68	104										
	[°C]	-23	49	4,4	49	493,6	1686	424,8	1,36	4,64	1,17	363,1	2,20	6,84	ARI540 LBP
	[°F]	-10	120	40	120										
	[°C]	-23	41	32	32	659,7	2253	567,8	1,91	6,53	1,65	345,0	2,13	6,68	AHAM LBP
	[°F]	-10	105	90	90										
	[°C]	-35	45	32	45	338,9	1157	291,6	1,25	4,28	1,08	270,4	1,89	3,80	opt
	[°F]	-31	113	90	113										

## Performance tables

R290, 220V/50Hz, eRSIR, fan 3m/s, VDE, CCC

	pe		Cooling capacity			COP	EER		P1	I	m
	[°C]	[°F]	[W]	[Btu/h]	[kcal/h]		[W/W]	[Btu/Wh]			
[°C / °F]	-40	-40	258,9	884	222,8	1,11	3,78	0,95	233,9	1,78	2,89
cond. pressure	-35	-31	338,9	1157	291,6	1,25	4,28	1,08	270,4	1,89	3,80
pc= 45/113	-30	-22	430,1	1469	370,2	1,41	4,80	1,21	306,1	2,00	4,83
return gas temp.	-25	-13	536,4	1832	461,6	1,57	5,36	1,35	341,9	2,12	6,05
RGT= 32/90	-20	-4	661,6	2259	569,4	1,75	5,97	1,50	378,6	2,26	7,49
liquid temp	-15	5	809,3	2764	696,5	1,94	6,63	1,67	417,1	2,41	9,21
Tliq= 45/113	-5	23	1187,9	4057	1022,3	2,36	8,07	2,03	503,0	2,78	13,68
[°C / °F]	-40	-40	215,7	737	185,7	0,91	3,09	0,78	238,1	1,77	2,66
cond. pressure	-35	-31	287,2	981	247,2	1,03	3,52	0,89	279,0	1,90	3,55
pc= 55/131	-30	-22	367,3	1254	316,1	1,15	3,92	0,99	320,1	2,04	4,56
return gas temp	-25	-13	459,7	1570	395,6	1,27	4,33	1,09	362,2	2,19	5,72
RGT= 32/90	-20	-4	568,3	1941	489,1	1,40	4,78	1,20	406,1	2,36	7,11
liquid temp	-15	5	696,7	2379	599,6	1,54	5,25	1,32	452,8	2,55	8,76
Tliq= 55/131	-5	23	1028,4	3512	885,1	1,84	6,30	1,59	557,8	3,00	13,10

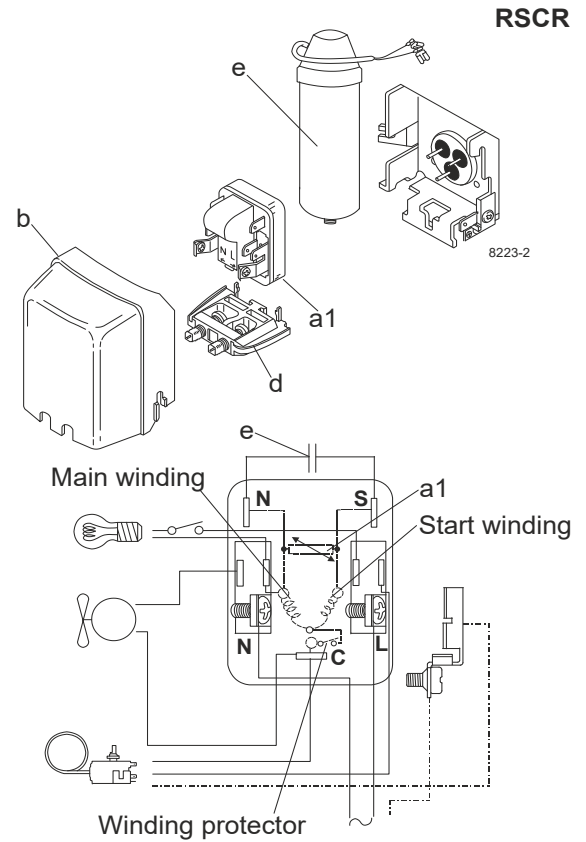
## Model

Designation	<b>NLE12.6CNL</b>	<b>220-240V/50Hz</b>	<b>Conf. 3</b>	Sales code:	<b>105H6378</b>
-------------	-------------------	----------------------	----------------	-------------	-----------------

## Configuration

Motorconfiguration	eRSCR
Power supply (nominal)	220-240V/50Hz 1~
Refrigerant	R290
Application	LBP
Voltage range	198-254V
Starting torque	LST
Approvals	VDE CCC

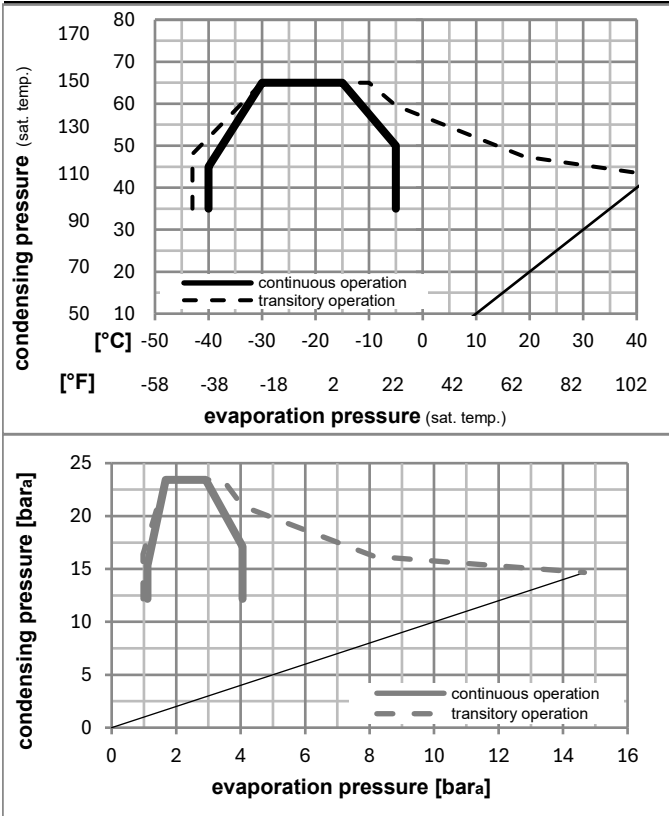
## Electrical accessories / wiring diagram



## Ambient/ machine room temperatures minimum /maximum

Ambient temperature range:	10 - 43°C / 50 - 110°F
Machine room temperature range:	10 - 48°C / 50 - 119°F
Compressor cooling:	fan 3m/s

## Operation pressure range



## Components

a1	e-PTC starter (220V, 250hm, 4.8mm)	103N0050
e	run capacitor (4μF, 4.8mm)	117-7119
b	plastic cover	103N2010
d	cord relief	103N1010
	bracket for run capacitor	117-0300
	screw M4x8mm	117-0301

## Alternative components

b	plastic cover	103N2011
---	---------------	----------



### Model

Designation **NLE12.6CNL** **220-240V/50Hz** Conf. **3** Sales code: **105H6378**

### Optimization + standard conditions

R290, 220V/50Hz, eRSCR, fan 3m/s, VDE, CCC

	Evaporating pressure (saturation temperature)				Condensing pressure (saturation temperature)			Return gas temp.			Liquid temp.			Cooling capacity			COP	EER	Power consumption			
	pe	pc	RGT	Tliq	[W]	[Btu/h]	[kcal/h]	[W/W]	[Btu/Wh]	[kcal/Wh]	P1	I	m	[W]	[A]	[kg/h]						
[°C]	-23	54	32	32	613,3	2095	527,8	1,69	5,77	1,45	363,0	2,17	6,21									
[°F]	-10	130	90	90																	ASHRAE LBP	
[°C]	-25	55	32	55	462,1	1578	397,7	1,32	4,51	1,14	350,2	2,12	5,75								cecomaf LBP	
[°F]	-13	131	90	131																		
[°C]	-35	40	20	40	352,8	1205	303,6	1,39	4,76	1,20	253,2	1,79	4,03								EN12900 LBP	
[°F]	-31	104	68	104																		
[°C]	-23	49	4,4	49	496,5	1696	427,3	1,41	4,83	1,22	351,0	2,13	6,88								ARI540 LBP	
[°F]	-10	120	40	120																		
[°C]	-23	41	32	32	663,8	2267	571,2	1,99	6,79	1,71	333,7	2,06	6,72								AHAM LBP	
[°F]	-10	105	90	90																		
[°C]	-35	45	32	45	337,5	1153	290,5	1,31	4,47	1,13	257,7	1,80	3,78								opt	
[°F]	-31	113	90	113																		

### Performance tables

R290, 220V/50Hz, eRSCR, fan 3m/s, VDE, CCC

	pe		Cooling capacity			COP	EER	P1			I	m
	[°C]	[°F]	[W]	[Btu/h]	[kcal/h]	[W/W]	[Btu/Wh]	[kcal/Wh]	[W]	[A]	[kg/h]	
[°C / °F]	-40	-40	255,5	873	219,9	1,18	4,02	1,01	217,0	1,66	2,86	
cond. pressure	-35	-31	337,5	1153	290,5	1,31	4,47	1,13	257,7	1,80	3,78	
pc= 45/113	-30	-22	430,9	1472	370,8	1,46	4,99	1,26	295,1	1,93	4,84	
return gas temp.	-25	-13	539,3	1842	464,1	1,63	5,57	1,40	330,6	2,05	6,08	
RGT= 32/90	-20	-4	666,1	2275	573,3	1,82	6,22	1,57	365,5	2,18	7,54	
liquid temp	-15	5	815,0	2783	701,4	2,03	6,94	1,75	401,0	2,32	9,27	
Tliq= 45/113	-5	23	1193,1	4075	1026,8	2,49	8,51	2,14	479,1	2,65	13,74	
[°C / °F]	-40	-40	213,2	728	183,5	0,97	3,30	0,83	220,9	1,65	2,63	
cond. pressure	-35	-31	286,1	977	246,3	1,08	3,67	0,93	265,9	1,81	3,54	
pc= 55/131	-30	-22	367,9	1257	316,6	1,19	4,07	1,03	308,6	1,97	4,56	
return gas temp	-25	-13	462,1	1578	397,7	1,32	4,51	1,14	350,2	2,12	5,75	
RGT= 32/90	-20	-4	572,1	1954	492,4	1,46	4,98	1,26	392,0	2,28	7,16	
liquid temp	-15	5	701,6	2396	603,8	1,61	5,51	1,39	435,2	2,45	8,82	
Tliq= 55/131	-5	23	1033,1	3528	889,1	1,94	6,64	1,67	531,4	2,86	13,16	

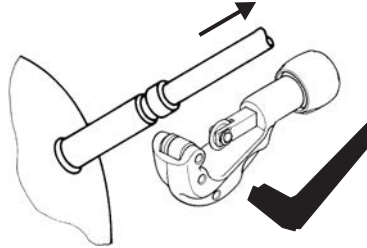


# NL Compressors





## Service/Repair – R600a, R290



8545

## Brazing on Suction Connectors (Direct Intake)

representative image



**! max. 150°C/302°F !  
at socket**  
brazing solder: phosphor (LP7) or silver

Refer to Product Bulletin:  
**Brazing on Suction Connectors  
(Compressors with Direct Suction Intake)**

Secop accepts no responsibility for possible errors in catalogs, brochures, and other printed material. Secop reserves the right to alter its products without notice. This also applies to products already on order provided that such alterations can be made without subsequential changes being necessary to specifications already agreed. All trademarks in this material are the property of the respective companies. Secop and the Secop logotype are trademarks of Secop GmbH. All rights reserved. [www.secop.com](http://www.secop.com)