

## Single Pack HTK80AA 220-240V 50Hz RSIR

Single pack code number: **195B4674**

Position	Title	Code	Amount
1	Compressor HTK80AA	16128600	1
2	Clip	10633900	4
3	Steel pin	10634100	4
4	Washer	10634300	4
5	Screw for cable clamp	10636000	1
6	Screw for cable clamp	10636200	1
7	Cover	10636401	1
8	Earth screw	10641201	1
9	Rubber grommet 16mm	11322600	4
10	Cable clamp	11341000	1
11	Terminal board 4.8mm	15164300	1

**Secop GmbH** • Lise-Meitner-Straße 29 • 24941 Flensburg, Germany • Tel: +49 461 4941 0 • [www.secop.com](http://www.secop.com)

Secop accepts no responsibility for possible errors in catalogs, brochures, and other printed material. Secop reserves the right to alter its products without notice. This also applies to products already on order provided that such alterations can be made without subsequent changes being necessary to specifications already agreed. All trademarks in this material are the property of the respective companies. Secop and the Secop logotype are trademarks of Secop GmbH. All rights reserved.

## Model

Designation	<b>HTK80AA</b>	220-240V/50Hz 1~	Sales code:	<b>16128600</b>
-------------	----------------	------------------	-------------	-----------------

## Compressor design

Oil type	Mineral	Refrigerant(s)	<b>R600a</b>
Oil viscosity	5cST	Displacement	8,1cm <sup>3</sup> / 0,49cu.in
Oil quantity	162cm <sup>3</sup> / 5,5fl.oz	Compressors on pallet	100
Refr. charge - tech. limit	150g / 5,3oz		
Free gas volume comp.	1500cm <sup>3</sup> / 50,7fl.oz		
Weight	7,9kg / 17,4lbs		
Motor protection	external		
Winding resistance main	25,8Ω (at 25°C)		
Winding resistance aux	16,3Ω (at 25°C)		
Max. winding temp.	130°C / 266°F		
Max. discharge temp.	130°C / 266°F		



## General - Configurations with HTK80AA

	<b>Conf. 1</b>	<b>Conf. 2</b>
Motorconfiguration	RSIR	RSCR
Power supply (nominal)	220-240V/50Hz	220-240V/50Hz
Number of phases	1	1
Voltage range	187-264V	187-264V
Approvals	VDE	VDE
Starting torque	LST	LST
Note	Various options of connectors are possible - please contact SECOP-Sales.	

## Applications with HTK80AA

	<b>Conf. 1</b>	<b>Conf. 2</b>
Refrigerant	R600a	R600a
Application	LBP	LBP
System cooling	static	static
Hot gas defrost	-/-	-/-
Long interval pull down	-/-	-/-

## Electrical data - Configurations with HTK80AA

	<b>Conf. 1</b>	<b>Conf. 2</b>
Starting device type	PTC	PTC
Run capacitor	-/-	3μF
Start capacitor	-/-	-/-
LRA (locked rotor amps / 4s/ U(N))		
RLA (rated load amps / 1s/ U(N))	-/-A	-/-A
Cut in current (U(N))		

## Model

Designation

**HTK80AA**

220-240V/50Hz 1~

Sales code:

**16128600**

## Compressor dimensions

Housing	A Height	174mm / 6,85in
	B Height	167mm / 6,57in
	C Length shell	194mm / 7,64in
	D Length w. cover	238mm / 9,37in
	E Width	151mm / 5,94in

Connectors		Suction	Discharge	Process
		X	Y	Z
Diameter	[mm]	øi 6,16-6,24	øi 5,1-5,2	øi 6,11-6,29
	(i:inside, o:outside) [in]	øi 0,24-0,25	øi 0,2-0,2	øi 0,24-0,25
Material		copper	copper	copper
Horizontal angle	±2°	54°	35°	45°
Vertical angle	±2°	35°	40°	35°
Position l/h/w	[mm]	120/92/57	112/106/81	-86/94/72
	[in]	4,7/3,6/2,2	4,4/4,2/3,2	-3,4/3,7/2,8
Straight tube l.	[mm]	14	14	14
	[in]	0,5	0,5	0,5



## Compressor fixation



Baseplate	[mm]	[inch]
BI	204	8.03
Bw	100	3.94
Small holes		
SI	170	6.7
Sw	70	2.76
S2l	178	7
øS	ø 16	ø 0.63

### Bolt joint



### Snap-on



## Mounting accessories

'4ZN' with rubber grommet

order code

772N

'4ZN' with rubber grommet and sleeve for M6

768N

Bolt joint kit

4ZN + 118-1917 (18)

'4ZN' with Snap on kit

776N

## Application notes

Provision for PE Grounding is located at the PE Stamp on the compressor

Housing with dip-tray fixture (omega bracket).

Various options of connectors are possible - please contact SECOP-Sales.

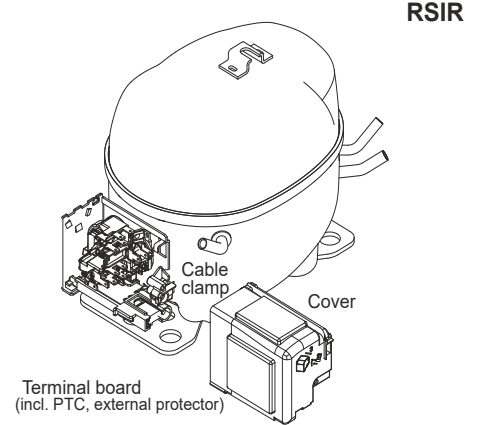
### Model

Designation	<b>HTK80AA</b>	<b>220-240V/50Hz</b>	Conf. 1	Sales code:	<b>16128600</b>
-------------	----------------	----------------------	---------	-------------	-----------------

### Configuration

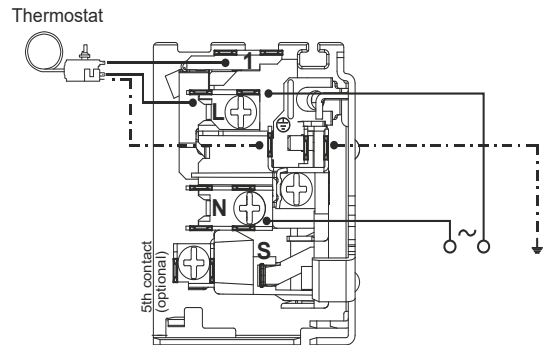
Motorconfiguration	RSIR
Power supply (nominal)	220-240V/50Hz 1~
Refrigerant	R600a
Application	LBP
Voltage range	187-264V
Starting torque	LST
Approvals	VDE

### Electrical accessories / wiring diagram

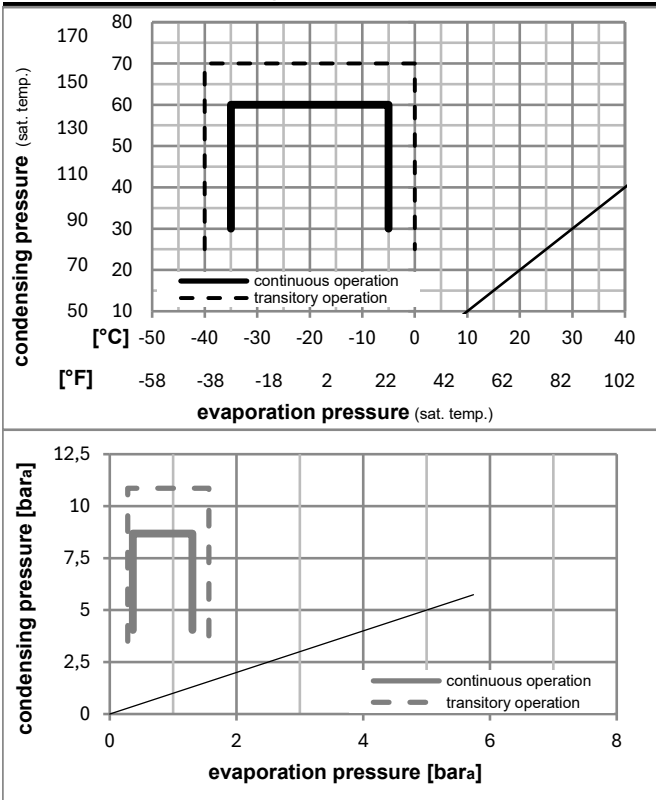


### Ambient/ machine room temperatures minimum /maximum

Ambient temperature range:	10 - 43°C / 50 - 110°F
Machine room temperature range:	10 - 48°C / 50 - 119°F
Compressor cooling:	static



### Operation pressure range



### Components

. terminal board (PTC, 4.8mm)	15164300
b cover terminal board	10636401
. cable clamp	11341000
. screw - uni6954	10636000
. screw - uni6954	10636200
. screw uni en iso 4757	10641201

### Alternative components

. terminal board (PTC, 6.3mm)	15162300
-------------------------------	----------



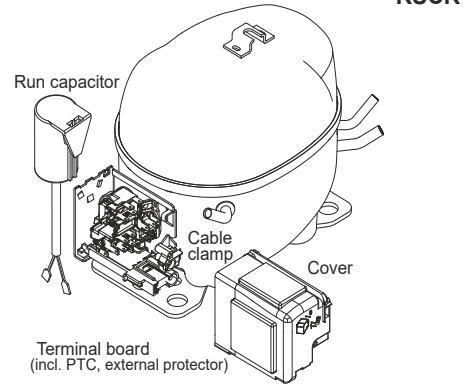
## Model

Designation	<b>HTK80AA</b>	<b>220-240V/50Hz</b>	<b>Conf. 2</b>	Sales code:	<b>16128600</b>
-------------	----------------	----------------------	----------------	-------------	-----------------

## Configuration

Motorconfiguration	RSCR
Power supply (nominal)	220-240V/50Hz 1~
Refrigerant	R600a
Application	LBP
Voltage range	187-264V
Starting torque	LST
Approvals	VDE

## Electrical accessories / wiring diagram



## Ambient/ machine room temperatures minimum /maximum

Ambient temperature range:	10 - 43°C / 50 - 110°F
Machine room temperature range:	10 - 48°C / 50 - 119°F
Compressor cooling:	static

## Operation pressure range



## Components

. terminal board (PTC, 4.8mm)	15164300
. run capacitor (3μF, 4.8mm)	10692902
b cover terminal board	10636401
. cable clamp	11341000
. screw - uni6954	10636000
. screw - uni6954	10636200

## Alternative components

. screw uni en iso 4757	10641201
-------------------------	----------

### Model

Designation	<b>HTK80AA</b>	<b>220-240V/50Hz</b>	<b>Conf. 2</b>	Sales code:	<b>16128600</b>
-------------	----------------	----------------------	----------------	-------------	-----------------

### Optimization + standard conditions

R600a, 220V/50Hz, RSCR, static, VDE

		Evaporating pressure (saturation temperature)				Condensing pressure (saturation temperature)			Return gas temp.			Liquid temp.			Cooling capacity			COP	EER	Power consumption			
		pe	pc	RGT	Tliq	[W]	[Btu/h]	[kcal/h]	[W/W]	[Btu/Wh]	[kcal/Wh]	P1	I	m	[W]	[A]	[kg/h]						
[°C]	[°F]	[°C]	[°F]	[°C]	[°F]																		
-23	-10	54	130	32	90	136,1	465	117,2	1,66	5,66	1,43	82,1	0,39	1,46								ASHRAE LBP	
-25	-13	55	131	32	90	101,8	348	87,6	1,29	4,41	1,11	78,9	0,38	1,33								cecomaf LBP	
-35	-31	40	104	20	68	64,7	221	55,7	1,09	3,73	0,94	59,2	0,32	0,79								EN12900 LBP	
-23	-10	49	120	4,4	40	110,4	377	95,0	1,40	4,79	1,21	78,6	0,39	1,61								ARI540 LBP	
-23	-10	41	105	32	90	145,1	496	124,9	1,97	6,72	1,69	73,7	0,38	1,56								AHAM LBP	
-35	-31	45	113	32	90	62,9	215	54,1	1,06	3,61	0,91	59,5	0,32	0,75								opt	

### Performance tables

R600a, 220V/50Hz, RSCR, static, VDE

	pe		Cooling capacity			COP	EER	P1	I	m	
	[°C]	[°F]	[W]	[Btu/h]	[kcal/h]	[W/W]	[Btu/Wh]	[kcal/Wh]	[W]	[A]	[kg/h]
[°C / °F]	-35	-31	62,9	215	54,1	1,06	3,61	0,91	59,5	0,32	0,75
cond. pressure	-30	-22	87,5	299	75,3	1,32	4,51	1,14	66,3	0,35	1,04
pc= 45/113	-25	-13	117,3	400	100,9	1,59	5,43	1,37	73,7	0,37	1,40
return gas temp.	-23	-10	128,6	439	110,6	1,68	5,75	1,45	76,3	0,38	1,53
RGT= 32/90	-20	-4	152,1	520	130,9	1,87	6,37	1,61	81,5	0,40	1,81
liquid temp	-15	5	192,1	656	165,3	2,14	7,32	1,84	89,7	0,43	2,30
Tliq= 45/113	-5	23	287,1	981	247,1	2,70	9,22	2,32	106,4	0,50	3,45
[°C / °F]	-35	-31	54,9	188	47,3	0,93	3,18	0,80	59,1	0,31	0,71
cond. pressure	-30	-22	75,7	258	65,1	1,10	3,76	0,95	68,7	0,34	0,99
pc= 55/131	-25	-13	101,8	348	87,6	1,29	4,41	1,11	78,9	0,38	1,33
return gas temp	-23	-10	111,9	382	96,3	1,36	4,63	1,17	82,5	0,39	1,46
RGT= 32/90	-20	-4	133,3	455	114,7	1,49	5,08	1,28	89,6	0,41	1,74
liquid temp	-15	5	170,0	581	146,3	1,69	5,76	1,45	100,8	0,45	2,23
Tliq= 55/131	-5	23	259,4	886	223,2	2,10	7,16	1,80	123,7	0,53	3,41



# K-Series Compressors

## GTK, HKK, HMK, HTK, HXK, HZK



### Service/Repair – R600a

**R600a**





# K-Series Compressors

## GTK, HKK, HMK, HTK, HXK, HZK



### Service/Repair – R600a

Secop accepts no responsibility for possible errors in catalogs, brochures, and other printed material. Secop reserves the right to alter its products without notice. This also applies to products already on order provided that such alterations can be made without subsequential changes being necessary to specifications already agreed. All trademarks in this material are the property of the respective companies. Secop and the Secop logotype are trademarks of Secop GmbH. All rights reserved. [www.secop.com](http://www.secop.com)