

## Single Pack KLF6.6MFT 200-240V 50Hz / 208-230V 60Hz CSIR

Single pack code number: **195B4688**

Position	Title	Code	Amount
1	Compressor KLF6.6MFT	106G2701	1
2	KL accessories	103N1060	1
3	Starting capacitor (80 $\mu$ F 220V, 6.3mm)	117U5001	1
4	Starting relay (QLZ-5.5A, overload protector T0377/L6)	117U7071	1
5	Bolt joint for one compressor   M6   $\varnothing$ 16mm	118-1917	1

Secop GmbH • Lise-Meitner-Straße 29 • 24941 Flensburg, Germany • Tel: +49 461 4941 0 • [www.secop.com](http://www.secop.com)

Secop accepts no responsibility for possible errors in catalogs, brochures, and other printed material. Secop reserves the right to alter its products without notice. This also applies to products already on order provided that such alterations can be made without subsequent changes being necessary to specifications already agreed. All trademarks in this material are the property of the respective companies. Secop and the Secop logotype are trademarks of Secop GmbH. All rights reserved.

## Model

Designation	<b>KLF6.6MFT</b>	200-240V/50Hz 1~	208-230V/60Hz 1~	Sales code:	<b>106G2701</b>
-------------	------------------	------------------	------------------	-------------	-----------------

## Compressor design

Oil type	Polyolester	Refrigerant(s)	<b>R134a</b>
Oil viscosity	10,4cSt	Displacement	6,6cm <sup>3</sup> / 0,4cu.in
Oil quantity	174cm <sup>3</sup> / 5,9fl.oz	Compressors on pallet	100
Refr. charge - tech. limit	400g / 14,1oz		
Free gas volume comp.	1580cm <sup>3</sup> / 53,4fl.oz		
Weight	9,4kg / 20,7lbs		
Motor protection	external		
Winding resistance main	8,4Ω (at 25°C)		
Winding resistance aux	11,9Ω (at 25°C)		
Max. winding temp.	125°C / 257°F		
Max. discharge temp.	130°C / 266°F		



## General - Configurations with KLF6.6MFT

	<b>Conf. 1</b>	<b>Conf. 2</b>	<b>Conf. 3</b>	<b>Conf. 4</b>
Motorconfiguration	CSIR	RSCR	CSIR	RSCR
Power supply (nominal)	200-240V/50Hz	200-240V/50Hz	208-230V/60Hz	208-230V/60Hz
Number of phases	1	1	1	1
Voltage range	170-254V	170-254V	198-253V	198-253V
Approvals	VDE, UL, CCC	VDE, UL, CCC	VDE, UL, CCC	VDE, UL, CCC
Starting torque	HST	LST	HST	LST
Note	Compressor can operate safely in LBP, no official third-party approval yet			

## Applications with KLF6.6MFT

	<b>Conf. 1</b>	<b>Conf. 2</b>	<b>Conf. 3</b>	<b>Conf. 4</b>
Refrigerant	R134a	R134a	R134a	R134a
Application	MBP	MBP	MBP	MBP
System cooling	fan 3m/s	fan 3m/s	fan 3m/s	fan 3m/s
Hot gas defrost	OK	OK	OK	OK
Long interval pull down	OK	OK	OK	OK

## Electrical data - Configurations with KLF6.6MFT

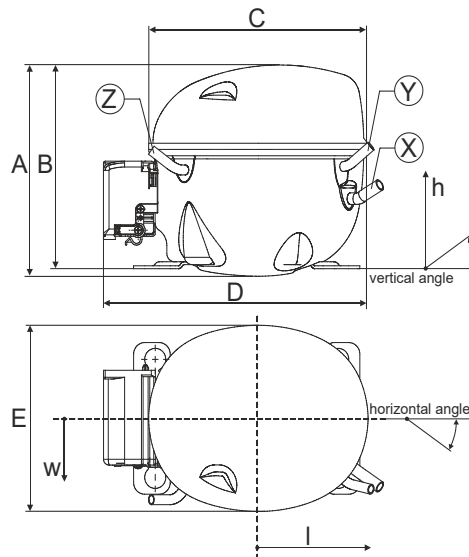
	<b>Conf. 1</b>	<b>Conf. 2</b>	<b>Conf. 3</b>	<b>Conf. 4</b>
Starting device type	relay	PTC	relay	PTC
Run capacitor	-/-	5μF	-/-	5μF
Start capacitor	80μF	-/-	80μF	-/-
LRA (locked rotor amps / 4s/ U(N))	13,5A	13,5A	13,5A	13,5A
RLA (rated load amps / 1s/ U(N))	2,1A	2,1A	2,1A	2,1A
Cut in current (U(N))	12,3A	18,1A	12,3A	18,1A

## Model

Designation	<b>KLF6.6MFT</b>	200-240V/50Hz 1~ 208-230V/60Hz 1~	Sales code:	<b>106G2701</b>
-------------	------------------	-----------------------------------	-------------	-----------------

## Compressor dimensions

<b>Housing</b>	A Height	182mm / 7,17in
	B Height	175mm / 6,89in
	C Length shell	198mm / 7,8in
	D Length w. cover	238mm / 9,37in
	E Width	160mm / 6,3in

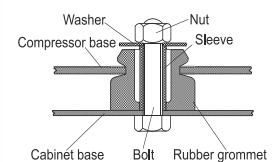


Connectors		Suction	Discharge	Process
		X	Y	Z
Diameter	[mm]	øi 8,11-8,29	øi 6,11-6,29	øi 6,11-6,29
(i:inside, o:outside)	[in]	øi 0,32-0,33	øi 0,24-0,25	øi 0,24-0,25
Material		copper	copper	copper
Horizontal angle	±2°	35°	13°	0°
Vertical angle	±2°	30°	40°	145°
Position l/h/w	[mm]	119/73/59	117/107/66	-88/101/71
	[in]	4,7/2,9/2,3	4,6/4,2/2,6	-3,5/4/2,8
Straight tube l.	[mm]	14	14	14
	[in]	0,5	0,5	0,5

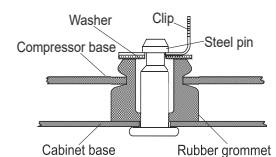
## Compressor fixation



### Bolt joint



### Snap-on



Mounting accessories	one comp.	multi pack
Bolt joint   M6   ø16mm	118-1917	118-1918
Bolt joint   ø1/4"   ø16mm	118-1946	
Bolt joint   ø1/4"   ø19mm	118-1949	
Snap-on   ø7,3   ø16mm	118-1947	118-1919

## Application notes

Provision for PE Grounding is located at the PE Stamp on the compressor

## Model

Designation	<b>KLF6.6MFT</b>	<b>200-240V/50Hz</b>	<b>Conf. 1</b>	Sales code:	<b>106G2701</b>
-------------	------------------	----------------------	----------------	-------------	-----------------

## Configuration

Motorconfiguration	CSIR
Power supply (nominal)	200-240V/50Hz 1~
Refrigerant	R134a
Application	MBP
Voltage range	170-254V
Starting torque	HST
Approvals	VDE
	UL
	CCC

## Electrical accessories / wiring diagram

CSIR

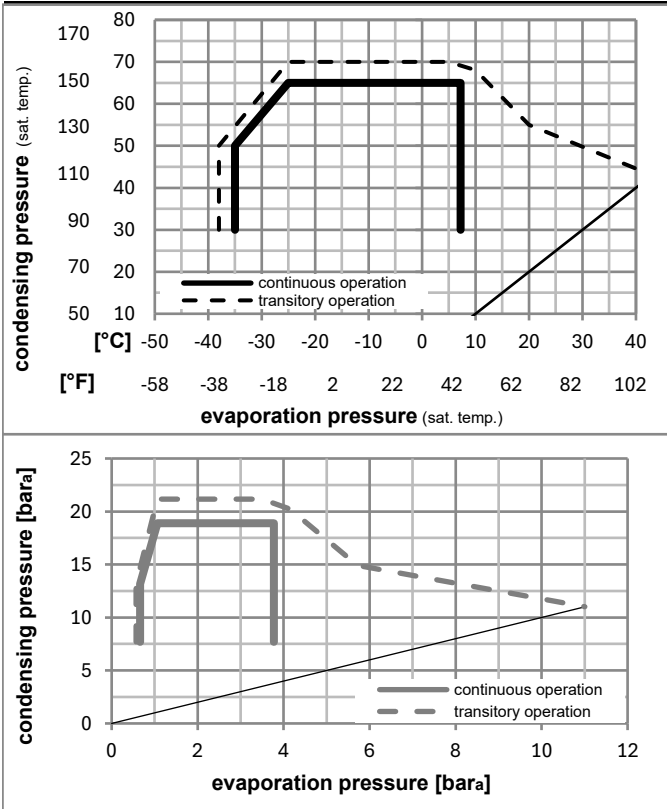


## Ambient/ machine room temperatures minimum /maximum

Ambient temperature range:	10 - 43°C / 50 - 110°F
Machine room temperature range:	10 - 48°C / 50 - 119°F
Compressor cooling:	fan 3m/s



## Operation pressure range



## Components

a5	current relay (T0377/L6-S1)	117U7071
c	start capacitor (80µF, 6.3mm)	117U5001
b, d	cover + clamp + screws(5VA) in bag	103N1060

## Alternative components

b, d	100x cover + clamp + screws(5VA)	103N2060
b, d	cover + clamp + screws(5VA-compl.)	103N0600

### Model

Designation **KLF6.6MFT** **200-240V/50Hz** Conf. 1 Sales code: **106G2701**

### Optimization + standard conditions

R134a, 200V/50Hz, CSIR, fan 3m/s, VDE, UL, CCC

	Evaporating pressure (saturation temperature)				Cooling capacity			COP	EER	Power consumption			ASHRAE	
	pe	pc	RGT	Tliq	[W]	[Btu/h]	[kcal/h]			P1	I	m		
	[°C]	[°C]	[°C]	[°C]	[W]	[Btu/h]	[kcal/h]	[W/W]	[Btu/Wh]	[kcal/Wh]	[W]	[A]	[kg/h]	
	-23	54	32	32	186,7	638	160,7	1,35	4,62	1,16	138,0	1,27	3,63	ASHRAE LBP
	[°F]													
	-10	130	90	90										
	-25	55	32	55	136,5	466	117,4	1,04	3,57	0,90	130,6	1,25	3,26	cecomaf LBP
	[°F]													
	-13	131	90	131										
	-35	40	20	40	93,1	318	80,1	1,02	3,47	0,88	91,5	1,17	2,04	EN12900 LBP
	[°F]													
	-31	104	68	104										
	-7	54	35	46	401,5	1371	345,5	1,92	6,57	1,65	208,8	1,49	8,76	ASHRAE MBP
	[°F]													
	20	130	95	115										
	-10	55	32	55	309,8	1058	266,6	1,58	5,41	1,36	195,8	1,45	7,49	cecomaf MBP
	[°F]													
	14	131	90	131										
	-10	45	20	45	347,3	1186	298,9	1,94	6,64	1,67	178,7	1,38	8,13	EN12900 MBP
	[°F]													
	14	113	68	113										

### Performance tables

R134a, 200V/50Hz, CSIR, fan 3m/s, VDE, UL, CCC

	pe		Cooling capacity			COP	EER	P1	I	m	
	[°C]	[°F]	[W]	[Btu/h]	[kcal/h]						
[°C / °F]	-30	-22	118,8	406	102,3	1,09	3,72	0,94	109,1	1,20	2,57
cond. pressure	-25	-13	161,0	550	138,6	1,27	4,33	1,09	126,9	1,24	3,49
pc= 45/113	-15	5	280,8	959	241,7	1,74	5,94	1,50	161,6	1,33	6,12
return gas temp.	-10	14	360,3	1230	310,1	2,02	6,88	1,73	178,7	1,38	7,89
RGT= 32/90	-5	23	454,0	1550	390,7	2,32	7,92	1,99	195,9	1,44	9,98
liquid temp	0	32	562,7	1922	484,3	2,64	9,02	2,27	213,1	1,51	12,45
Tliq= 45/113	7,2	45	747,8	2554	643,5	3,14	10,71	2,70	238,5	1,60	16,70
[°C / °F]	-30	-22	99,2	339	85,3	0,92	3,14	0,79	107,7	1,19	2,37
cond. pressure	-25	-13	136,5	466	117,4	1,04	3,57	0,90	130,6	1,25	3,26
pc= 55/131	-15	5	240,9	823	207,3	1,38	4,71	1,19	174,5	1,37	5,80
return gas temp	-10	14	309,8	1058	266,6	1,58	5,41	1,36	195,8	1,45	7,49
RGT= 32/90	-5	23	391,1	1336	336,6	1,80	6,16	1,55	216,7	1,52	9,51
liquid temp	0	32	485,6	1658	417,9	2,04	6,98	1,76	237,5	1,60	11,88
Tliq= 55/131	7,2	45	646,7	2209	556,5	2,42	8,26	2,08	267,3	1,72	15,99

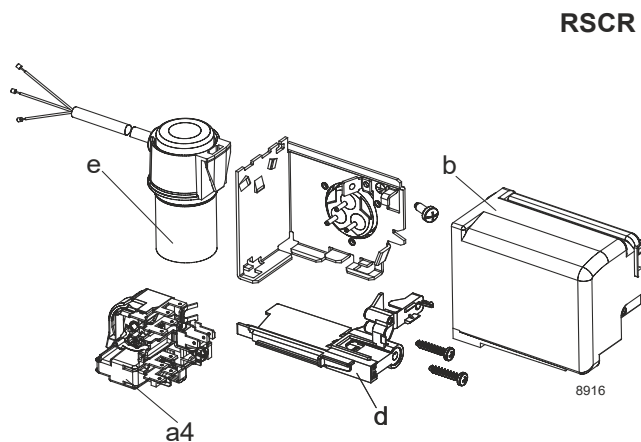
## Model

Designation	<b>KLF6.6MFT</b>	<b>200-240V/50Hz</b>	<b>Conf. 2</b>	Sales code:	<b>106G2701</b>
-------------	------------------	----------------------	----------------	-------------	-----------------

## Configuration

Motorconfiguration	RSCR
Power supply (nominal)	200-240V/50Hz 1~
Refrigerant	R134a
Application	MBP
Voltage range	170-254V
Starting torque	LST
Approvals	VDE
	UL
	CCC

## Electrical accessories / wiring diagram

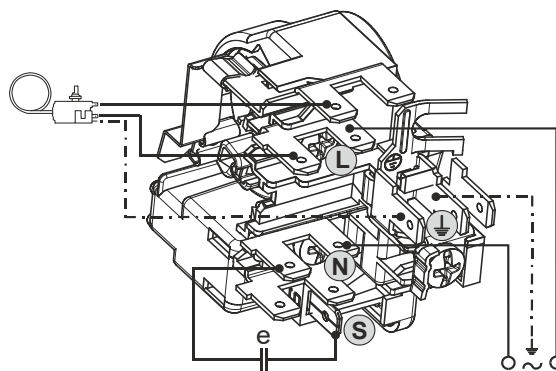


## Ambient/ machine room temperatures minimum /maximum

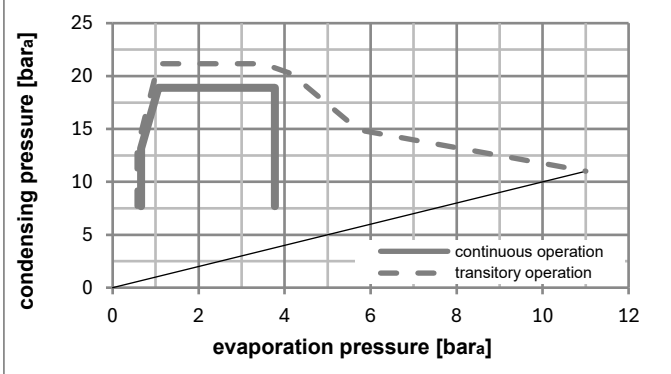
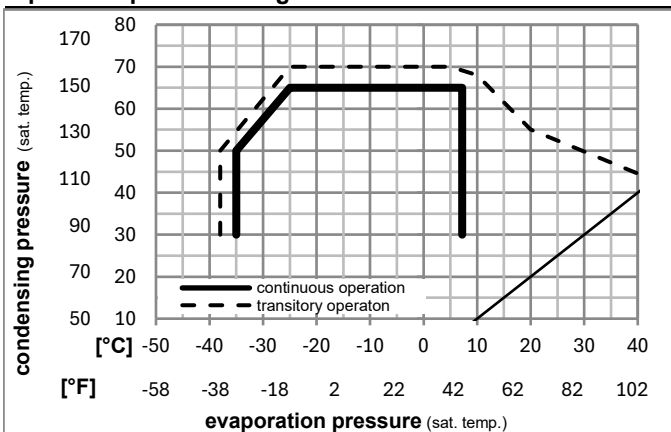
Ambient temperature range: 10 - 43°C / 50 - 110°F

Machine room temperature range: 10 - 48°C / 50 - 119°F

Compressor cooling: fan 3m/s



## Operation pressure range



## Components

a4	DAS1 (PTC,6.3mm, T0377/L6 - S1)	103N0250
e	run capacitor (5µF, 6.3mm)	117-7191
b, d	cover + clamp + screws(5VA) in bag	103N1060

## Alternative components

a4	ZAS1 (PTC,4.8mm, T0377/L6 - S1)	103N0252
e	run capacitor (5µF, 4.8mm)	117-7190

b, d	100x cover + clamp + screws(5VA)	103N2060
b, d	cover + clamp + screws(5VA-compl.)	103N0600

### Model

Designation **KLF6.6MFT** **200-240V/50Hz** Conf. 2 Sales code: **106G2701**

### Optimization + standard conditions

R134a, 200V/50Hz, RSCR, fan 3m/s, VDE, UL, CCC

	Evaporating pressure (saturation temperature)				Cooling capacity			COP	EER	P1	Power consumption		ASHRAE LBP		
	pe	pc	RGT	Tliq	[W]	[Btu/h]	[kcal/h]				I	m			
	[°C]	[°C]	[°C]	[°C]	[W]	[Btu/h]	[kcal/h]	[W/W]	[Btu/Wh]	[kcal/Wh]	[W]	[A]	[kg/h]		
	-23	54	32	32	187,0	639	160,9	1,43	4,87	1,23	131,2	0,92	3,63	ASHRAE LBP	
	[°F]														
	-10	130	90	90											
	[°C]	-25	55	32	55	136,7	467	117,6	1,10	3,76	0,95	124,1	0,90	3,27	cecomaf LBP
	[°F]	-13	131	90	131										
	[°C]	-35	40	20	40	93,1	318	80,2	1,08	3,68	0,93	86,4	0,78	2,04	EN12900 LBP
	[°F]	-31	104	68	104										
	[°C]	-7	54	35	46	402,4	1374	346,3	2,03	6,92	1,74	198,6	1,19	8,78	ASHRAE MBP
	[°F]	20	130	95	115										
	[°C]	-10	55	32	55	310,5	1060	267,2	1,67	5,69	1,43	186,2	1,14	7,51	cecomaf MBP
	[°F]	14	131	90	131										
	[°C]	-10	45	20	45	347,9	1188	299,4	2,04	6,98	1,76	170,2	1,07	8,14	EN12900 MBP
	[°F]	14	113	68	113										

### Performance tables

R134a, 200V/50Hz, RSCR, fan 3m/s, VDE, UL, CCC

	pe		Cooling capacity			COP	EER	P1	I	m	
	[°C]	[°F]	[W]	[Btu/h]	[kcal/h]						
[°C / °F]	-30	-22	119,0	406	102,4	1,15	3,93	0,99	103,5	0,83	2,57
cond. pressure	-25	-13	161,2	551	138,8	1,34	4,56	1,15	120,7	0,89	3,49
pc= 45/113	-15	5	281,3	961	242,1	1,83	6,24	1,57	153,9	1,01	6,13
return gas temp.	-10	14	361,0	1233	310,6	2,12	7,24	1,83	170,2	1,07	7,90
RGT= 32/90	-5	23	454,9	1554	391,5	2,44	8,33	2,10	186,4	1,14	10,00
liquid temp	0	32	564,1	1926	485,4	2,78	9,50	2,40	202,7	1,21	12,47
Tliq= 45/113	7,2	45	749,8	2561	645,3	3,31	11,31	2,85	226,5	1,32	16,75
[°C / °F]	-30	-22	99,3	339	85,4	0,97	3,32	0,84	102,1	0,82	2,37
cond. pressure	-25	-13	136,7	467	117,6	1,10	3,76	0,95	124,1	0,90	3,27
pc= 55/131	-15	5	241,3	824	207,7	1,45	4,96	1,25	166,1	1,05	5,81
return gas temp	-10	14	310,5	1060	267,2	1,67	5,69	1,43	186,2	1,14	7,51
RGT= 32/90	-5	23	392,0	1339	337,4	1,90	6,50	1,64	206,0	1,22	9,53
liquid temp	0	32	486,9	1663	419,0	2,16	7,37	1,86	225,6	1,31	11,91
Tliq= 55/131	7,2	45	648,8	2216	558,3	2,56	8,74	2,20	253,6	1,44	16,05

## Model

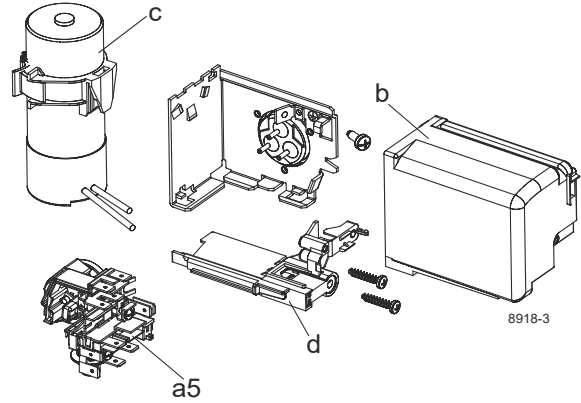
Designation	<b>KLF6.6MFT</b>	<b>208-230V/60Hz</b>	<b>Conf. 3</b>	Sales code:	<b>106G2701</b>
-------------	------------------	----------------------	----------------	-------------	-----------------

## Configuration

Motorconfiguration	CSIR
Power supply (nominal)	208-230V/60Hz 1~
Refrigerant	R134a
Application	MBP
Voltage range	198-253V
Starting torque	HST
Approvals	VDE UL CCC

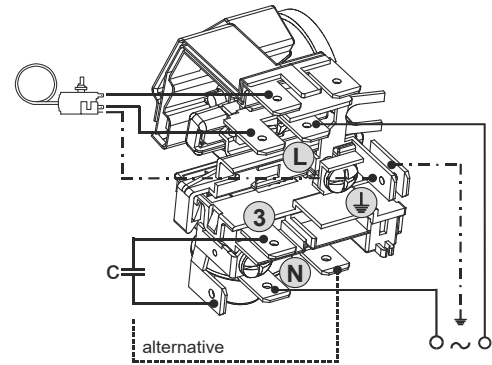
## Electrical accessories / wiring diagram

CSIR

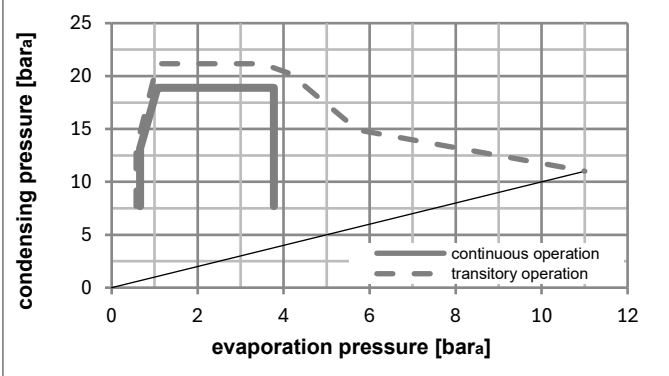
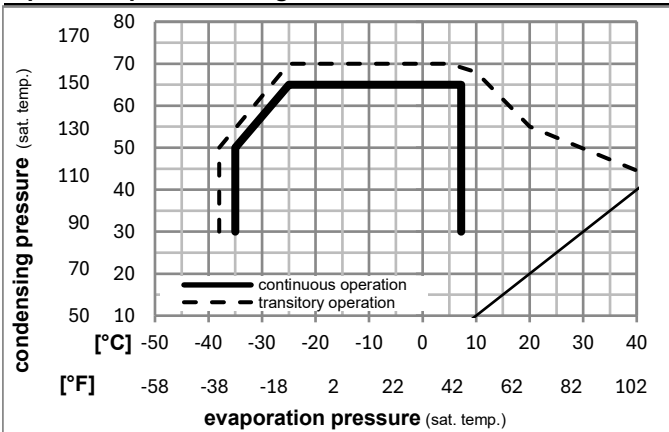


## Ambient/ machine room temperatures minimum /maximum

Ambient temperature range:	10 - 43°C / 50 - 110°F
Machine room temperature range:	10 - 48°C / 50 - 119°F
Compressor cooling:	fan 3m/s



## Operation pressure range



## Components

a5	current relay (T0377/L6-S1)	117U7071
c	start capacitor (80µF, 6.3mm)	117U5001
b, d	cover + clamp + screws(5VA) in bag	103N1060

## Alternative components

b, d	100x cover + clamp + screws(5VA)	103N2060
b, d	cover + clamp + screws(5VA-compl.)	103N0600



### Model

Designation **KLF6.6MFT** **208-230V/60Hz** Conf. 3 Sales code: **106G2701**

### Optimization + standard conditions

R134a, 208V/60Hz, CSIR, fan 3m/s, VDE, UL, CCC

	Evaporating pressure (saturation temperature)				Condensing pressure (saturation temperature)			Return gas temp.	Liquid temp.	Cooling capacity	COP	EER	Power consumption			Ref. mass flow
	pe	pc	RGT	Tliq	[W]	[Btu/h]	[kcal/h]						P1	I	m	
	[°C]	[°F]	[°C]	[°F]	[W]	[Btu/h]	[kcal/h]	[W/W]	[Btu/Wh]	[kcal/Wh]	[W]	[A]	[kg/h]			
ASHRAE LBP	-23	54	32	32	221,0	755	190,2	1,37	4,69	1,18	160,8	1,23	4,29			
	-10	130	90	90												
cecomaf LBP	-25	55	32	55	161,3	551	138,8	1,05	3,59	0,91	153,3	1,21	3,86			
	-13	131	90	131												
EN12900 LBP	-35	40	20	40	108,5	370	93,4	1,04	3,56	0,90	104,2	1,11	2,38			
	-31	104	68	104												
ASHRAE MBP	-7	54	35	46	474,8	1621	408,6	1,95	6,66	1,68	243,4	1,48	10,36			
	20	130	95	115												
cecomaf MBP	-10	55	32	55	367,4	1255	316,2	1,61	5,51	1,39	227,7	1,43	8,88			
	14	131	90	131												
EN12900 MBP	-10	45	20	45	405,5	1385	349,0	1,93	6,58	1,66	210,6	1,37	9,49			
	14	113	68	113												

### Performance tables

R134a, 208V/60Hz, CSIR, fan 3m/s, VDE, UL, CCC

	pe		Cooling capacity			COP	EER	P1	I	m	
	[°C]	[°F]	[W]	[Btu/h]	[kcal/h]	[W/W]	[Btu/Wh]				[kcal/Wh]
[°C / °F]	-30	-22	137,5	470	118,3	1,11	3,80	0,96	123,5	1,14	2,97
cond. pressure	-25	-13	187,1	639	161,0	1,29	4,41	1,11	144,8	1,19	4,05
pc= 45/113	-15	5	327,7	1119	282,0	1,74	5,94	1,50	188,4	1,30	7,14
return gas temp.	-10	14	420,7	1437	362,1	2,00	6,82	1,72	210,6	1,37	9,21
RGT= 32/90	-5	23	530,2	1811	456,3	2,27	7,76	1,96	233,3	1,45	11,66
liquid temp	0	32	657,1	2244	565,5	2,56	8,76	2,21	256,3	1,52	14,53
Tliq= 45/113	7,2	45	872,5	2980	750,9	3,01	10,27	2,59	290,2	1,64	19,49
[°C / °F]	-30	-22	115,4	394	99,3	0,90	3,06	0,77	128,6	1,15	2,75
cond. pressure	-25	-13	161,3	551	138,8	1,05	3,59	0,91	153,3	1,21	3,86
pc= 55/131	-15	5	286,3	978	246,4	1,41	4,82	1,22	202,8	1,35	6,89
return gas temp	-10	14	367,4	1255	316,2	1,61	5,51	1,39	227,7	1,43	8,88
RGT= 32/90	-5	23	462,2	1579	397,8	1,83	6,25	1,57	252,7	1,51	11,24
liquid temp	0	32	571,7	1952	492,0	2,06	7,03	1,77	277,8	1,60	13,98
Tliq= 55/131	7,2	45	757,0	2585	651,5	2,41	8,22	2,07	314,4	1,73	18,72

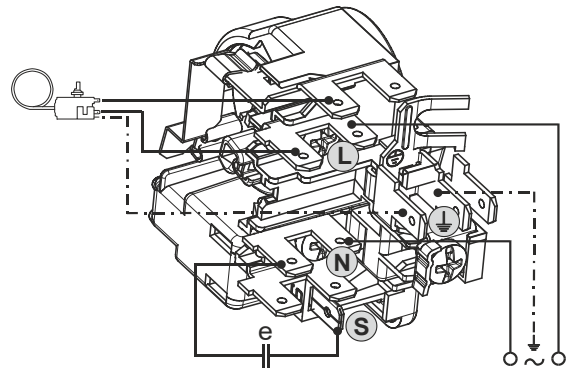
## Model

Designation	<b>KLF6.6MFT</b>	<b>208-230V/60Hz</b>	<b>Conf. 4</b>	Sales code:	<b>106G2701</b>
-------------	------------------	----------------------	----------------	-------------	-----------------

## Configuration

Motor configuration	RSCR
Power supply (nominal)	208-230V/60Hz 1~
Refrigerant	R134a
Application	MBP
Voltage range	198-253V
Starting torque	LST
Approvals	VDE UL CCC

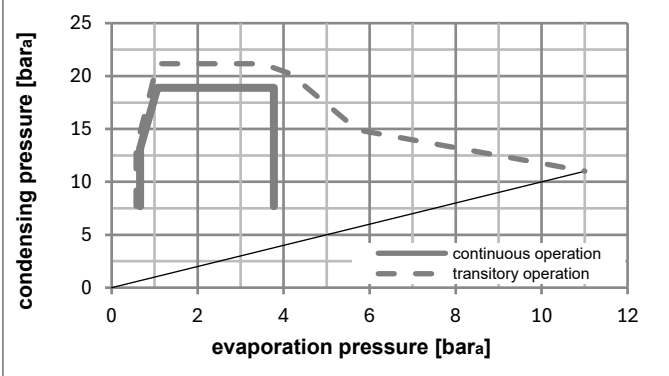
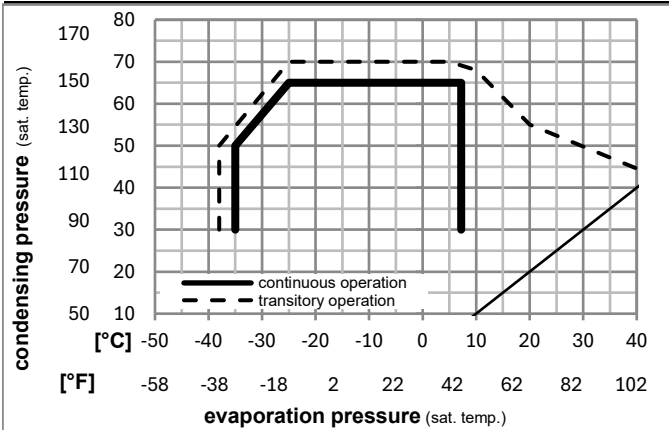
## Electrical accessories / wiring diagram



## Ambient/ machine room temperatures minimum /maximum

Ambient temperature range:	10 - 43°C / 50 - 110°F
Machine room temperature range:	10 - 48°C / 50 - 119°F
Compressor cooling:	fan 3m/s

## Operation pressure range



## Components

a4	DAS1 (PTC, 6.3mm, T0377/L6 - S1)	103N0250
e	run capacitor (5µF, 6.3mm)	117-7191
b, d	cover + clamp + screws(5VA) in bag	103N1060

## Alternative components

a4	ZAS1 (PTC, 4.8mm, T0377/L6 - S1)	103N0252
e	run capacitor (5µF, 4.8mm)	117-7190

b, d	100x cover + clamp + screws(5VA)	103N2060
b, d	cover + clamp + screws(5VA-compl.)	103N0600

## Model

Designation **KLF6.6MFT** **208-230V/60Hz** Conf. 4 Sales code: **106G2701**

## Optimization + standard conditions

R134a, 208V/60Hz, RSCR, fan 3m/s, VDE, UL, CCC

	Evaporating pressure (saturation temperature)				Condensing pressure (saturation temperature)			Return gas temp.	Liquid temp.	Cooling capacity	COP	EER	Power consumption			Ref. mass flow
	pe	pc	RGT	Tliq	[W]	[Btu/h]	[kcal/h]						P1	I	m	
	[°C]	[°F]	[°C]	[°F]	[W]	[Btu/h]	[kcal/h]	[W/W]	[Btu/Wh]	[kcal/Wh]	[W]	[A]	[kg/h]			
ASHRAE LBP	-23	54	32	32	221,3	756	190,5	1,44	4,91	1,24	153,8	0,80	4,30			
	-10	130	90	90												
cecomaf LBP	-25	55	32	55	161,5	551	139,0	1,10	3,76	0,95	146,7	0,77	3,86			
	-13	131	90	131												
EN12900 LBP	-35	40	20	40	108,5	371	93,4	1,08	3,68	0,93	100,8	0,60	2,38			
	-31	104	68	104												
ASHRAE MBP	-7	54	35	46	475,8	1625	409,5	2,06	7,02	1,77	231,4	1,11	10,38			
	20	130	95	115												
cecomaf MBP	-10	55	32	55	368,1	1257	316,8	1,70	5,80	1,46	216,8	1,05	8,90			
	14	131	90	131												
EN12900 MBP	-10	45	20	45	406,3	1388	349,7	2,03	6,92	1,74	200,6	0,98	9,51			
	14	113	68	113												

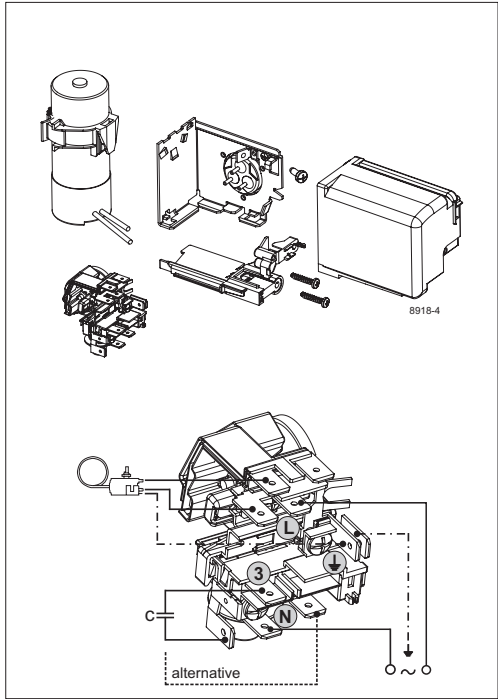
## Performance tables

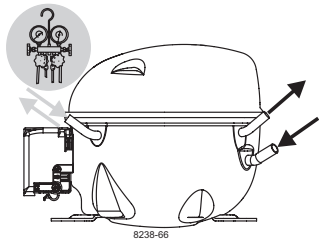
R134a, 208V/60Hz, RSCR, fan 3m/s, VDE, UL, CCC

	pe		Cooling capacity			COP	EER		P1	I	m
	[°C]	[°F]	[W]	[Btu/h]	[kcal/h]	[W/W]	[Btu/Wh]	[kcal/Wh]	[W]	[A]	[kg/h]
[°C / °F]	-30	-22	137,6	470	118,4	1,16	3,96	1,00	118,7	0,67	2,97
cond. pressure	-25	-13	187,3	640	161,2	1,35	4,61	1,16	138,7	0,74	4,06
pc= 45/113	-15	5	328,2	1121	282,5	1,83	6,24	1,57	179,6	0,90	7,15
return gas temp.	-10	14	421,5	1440	362,8	2,10	7,18	1,81	200,6	0,98	9,23
RGT= 32/90	-5	23	531,4	1815	457,3	2,40	8,18	2,06	221,8	1,07	11,68
liquid temp	0	32	658,7	2250	566,9	2,71	9,24	2,33	243,3	1,16	14,57
Tliq= 45/113	7,2	45	874,9	2988	753,0	3,18	10,87	2,74	274,8	1,29	19,54
[°C / °F]	-30	-22	115,5	394	99,4	0,94	3,20	0,81	123,4	0,68	2,75
cond. pressure	-25	-13	161,5	551	139,0	1,10	3,76	0,95	146,7	0,77	3,86
pc= 55/131	-15	5	286,8	979	246,8	1,48	5,06	1,28	193,4	0,95	6,90
return gas temp	-10	14	368,1	1257	316,8	1,70	5,80	1,46	216,8	1,05	8,90
RGT= 32/90	-5	23	463,3	1582	398,7	1,93	6,59	1,66	240,1	1,14	11,26
liquid temp	0	32	573,2	1957	493,3	2,18	7,43	1,87	263,4	1,24	14,02
Tliq= 55/131	7,2	45	759,4	2593	653,5	2,56	8,73	2,20	297,0	1,38	18,78



# KL Compressors

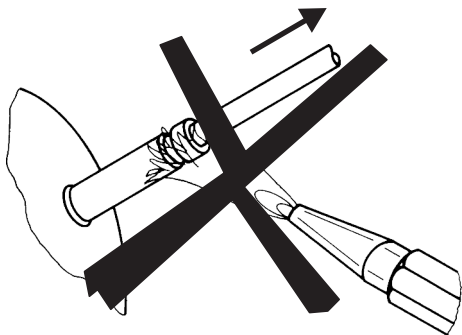




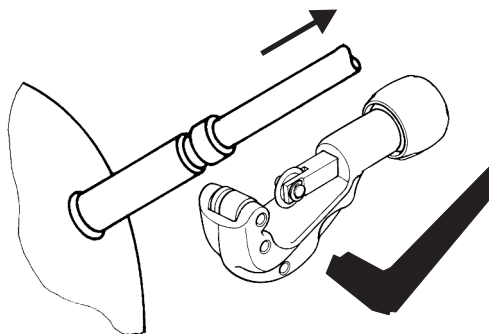
# KL Compressors



## Service/Repair – R290



8545



Secop accepts no responsibility for possible errors in catalogs, brochures, and other printed material. Secop reserves the right to alter its products without notice. This also applies to products already on order provided that such alterations can be made without subsequent changes being necessary to specifications already agreed. All trademarks in this material are the property of the respective companies. Secop and the Secop logotype are trademarks of Secop GmbH. All rights reserved. [www.secop.com](http://www.secop.com)